

INDEX
**ABBEY GLEN CONDOMINIUMS
 PHASE 2**

PART OF OUTLOT 857
 IN THE CITY OF MASSILLON
 STARK COUNTY, OHIO

PLAN APPROVALS

APPROVED BY THE CITY OF MASSILLON ENGINEER
 THIS 5th DAY OF June, 2002

[Signature]
 CITY OF MASSILLON ENGINEER

WATERLINE IS APPROVED BY CONSUMERS OHIO WATER COMPANY
 THIS DAY OF , 20

CONSUMERS OHIO WATER COMPANY

SANITARY SEWER PERMIT-TO-INSTALL HAS BEEN RECEIVED FROM THE OhioEPA
 THIS DAY OF , 20

WATERLINE PERMIT-TO-INSTALL HAS BEEN RECEIVED FROM THE OhioEPA
 THIS DAY OF , 20

GENERAL WATER MAIN NOTES

WATER MAIN TO BE PRESSURE CLASS 350 DIP HYDRANTS TO BE TYPE MUELLER A-421 AS APPROVED BY THE CONSUMERS OHIO WATER COMPANY.

ALL SERVICES TO BE 1 1/2" DIAMETER.

CONTRACTOR SHALL STERILIZE WATER MAIN BY PLACING A QUANTITY OF H.T.H. (70% AVAILABLE CHLORINE) IN THE PIPE. THE AMOUNT OF H.T.H. POWDER REQUIRED FOR EACH LENGTH OF PIPE (18 FEET) IS 1/2 OUNCE FOR AN 8" PIPE OR 1/4 OUNCE FOR A 4" PIPE. THE CANTON WATER DEPARTMENT SHALL BE RESPONSIBLE FOR FINAL FLUSHING OF WATER LINE AND TESTING QUALITY.

APPLICATION OF DISINFECTION TO BE MADE IN ACCORDANCE WITH AWWA STANDARD C651.

PRESSURE TEST SHALL CONFORM WITH AWWA STANDARD C-600.

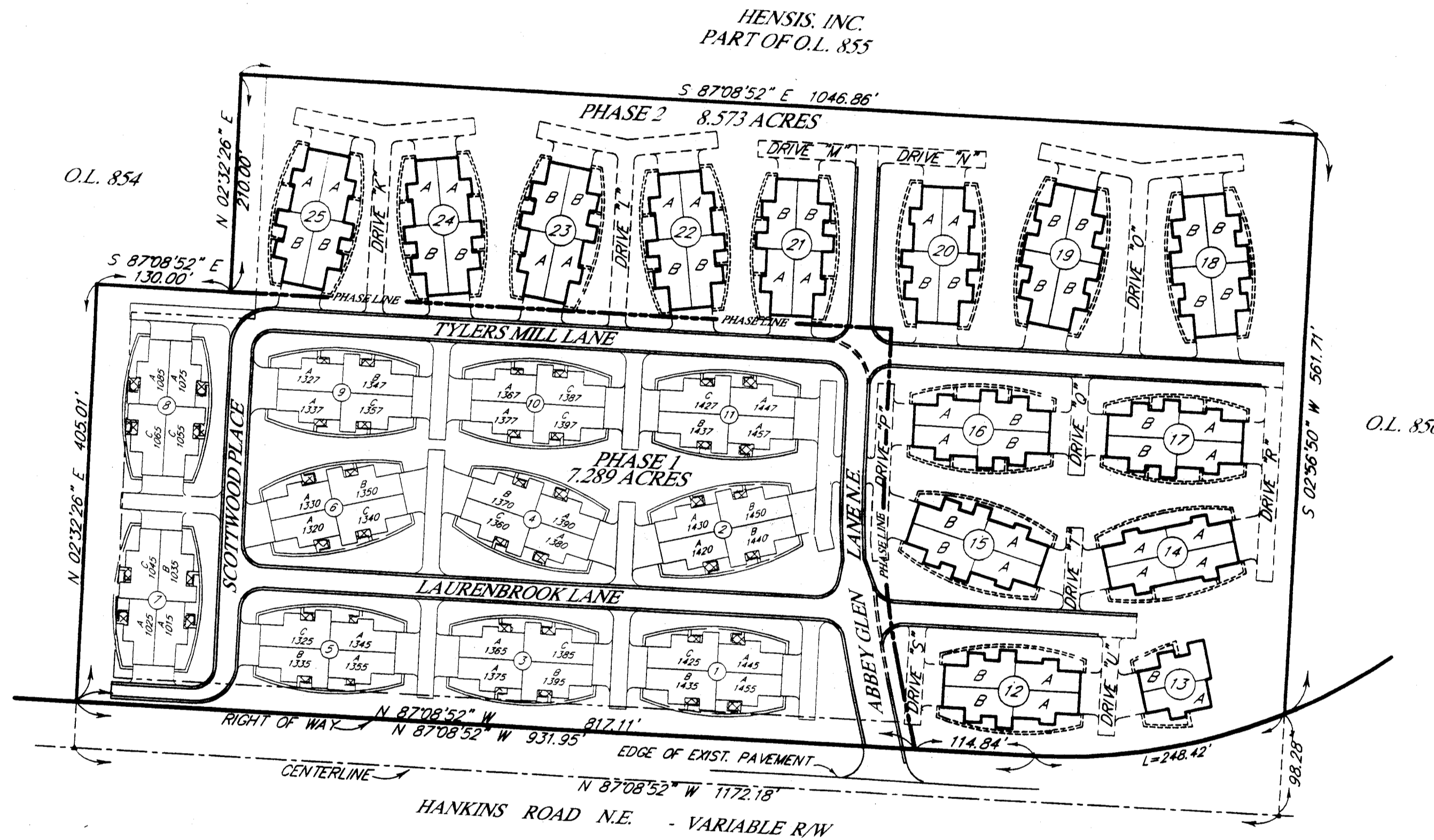
CONTRACTOR IS RESPONSIBLE TO MAINTAIN A MINIMUM SEPARATION FROM EXISTING OR PROPOSED SANITARY SEWERS OF 10 FEET HORIZONTAL AND 18 INCHES VERTICAL.

CONTRACTOR IS RESPONSIBLE TO MAINTAIN A MINIMUM SEPARATION FROM EXISTING OR PROPOSED STORM SEWERS OF 4 FEET HORIZONTAL AND 12 INCHES VERTICAL.

A MINIMUM HORIZONTAL SEPARATION OF 10 FEET BETWEEN THE FIRE HYDRANT WEEPHOLE AND ANY EXISTING OR PROPOSED SANITARY SEWERS IS TO BE MAINTAINED.

INSTALLATION OF WATER MAINS AND APPURTENANCES SHALL CONFORM TO CONSUMERS OHIO WATER COMPANY SERVICE PLANS AND SPECIFICATIONS IN EFFECT AT THE TIME OF CONSTRUCTION.

Paid 02-11-01
 Amount 333.93 Date 1/16/02
 Check # 107 Date 6/24/02



MATERIAL SPECIFICATIONS

DUCTILE IRON PIPE: Type required: push-on joints, cement lined, pressure class 350 for 4 inch through 12 inch, pressure class 300 for 16 inch, manufacturing standards AWWA C150 and C151. Polyethylene encasement shall be installed on all ductile pipe and fittings.

DUCTILE IRON FITTINGS: (tees, crosses, bends, reducers, sleeves, couplings and plugs.) Type required: mechanical joint, tees, crosses, bends and reducers are to be cement lined; working pressure rating 250 psi, manufacturing standards ANSI A21.5.3, ANSI A21.4 and ANSI A21.10. Compact style is acceptable. Retainer glands shall be installed wherever there is a possibility of joint separation.

FIRE HYDRANTS: Type required: post type, breakable flange design for traffic collisions, 5 1/4" diameter main valve, one 4 1/2" pumper and two 2 1/2" hose nozzles, 6" MJ inlet, main valve to open left, direction of opening to be indicated with arrow cast on hydrant, to be designed for 5 foot trench, National Standard threads on nozzles, O-ring packing preferred, operating nut and nut on caps; 1 1/2" pentagon, color yellow paint on body trimmed with red paint on bonnet and caps, AWA standard C502, Mueller Centurian A421, Clow Medallion or US Pipe M-94

TAPPING VALVES: Type required: Resilient seat, iron body, mechanical joint accessories, non-rising stem, for underground service, O-ring packing preferred, OPEN RIGHT (clockwise) 2 inch square, operating nut, manufacturing standards and pressure ratings AWWA specification C500

4" THROUGH 12" GATE VALVES: Type required: resilient seat, iron body, mechanical joint accessories, non-rising stem, for underground service, O-ring packing preferred, OPEN RIGHT (clockwise), 2 inch square operating nut, manufacturing standards and pressure ratings AWWA C509, U.S. Pipe Metroseal #5460 or equal.

VALVE BOXES: Type required: two piece, cast iron, screw type for adjustable height, height range to be approximately 36 to 60 inches. They are to include a well fitting cast iron lid, the word "WATER" to be cast on lid.

2" WATER MAIN: 2" water main shall be soft drawn type "K" copper tubing or high density polyethylene plastic (HDPE), copper tube size, as called out on the plan. If HDPE is used, marking tape and a 12 gage copper tracer wire shall be laid in the trench. Brass compression fittings shall be used. Stainless steel stiffeners are necessary at each joint.

POLYETHYLENE ENCASEMENT: Type required: Eight mil thick polyethylene tube manufactured in accordance with ANSI/AWWA C105/A21.5. Polyethylene adhesive tape, 1 1/2" wide, is to seal joints.

BLOW OFF ASSEMBLIES: Type required: 1(Kupferle Foundry TF500 or approved equal. Install in valve box. Install 2" curb stop with curb box ahead of each blow off.

Revised 8/2000

DESCRIPTION SHEET

CONDOMINIUM PLAT.....	CP
GRADING PLAN (PAGE 1).....	GP1
GRADING PLAN (PAGE 2).....	GP2
PLAN AND PROFILES:	
TYLERS MILL LANE (EXISTING).....	SHEET 1
TYLERS MILL LANE (EXTENSION).....	SHEET 2
ABBEY GLEN LANE.....	SHEET 3
LAURENBROOK LANE (EXTENSION).....	SHEET 4
STORM WATER PREVENTION PLAN..... SWP3	
STANDARD DETAIL SHEET.....	DETAIL

OUPS Answers The 8 Questions
 Most Commonly Asked By Contractors



Ohio Utilities Protection Service
 1-800-362-2764

UNDERGROUND UTILITIES
2 WORKING DAYS
BEFORE YOU DIG
 Call...800-362-2764 (Toll Free)
 OHIO UTILITIES PROTECTION SERVICE
 NON-MEMBERS
 MUST BE CALLED DIRECTLY

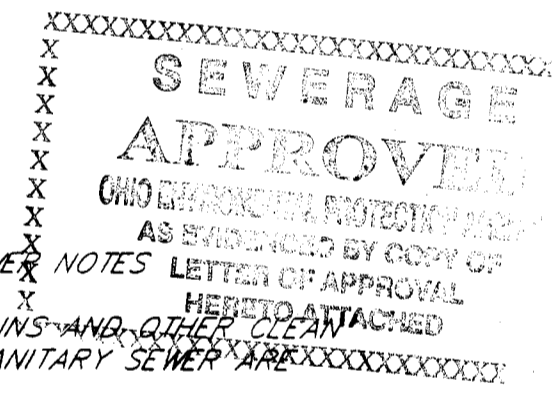
GENERAL NOTES

ALL SUBGRADE COMPACTION SHALL BE INSPECTED AND APPROVED AT LEAST FORTY-EIGHT (48) HOURS PRIOR TO PLACEMENT OF ANY 301 BITUMINOUS BASE.

ALL TRENCHES, BENEATH THE PROPOSED PAVEMENT OR EXISTING PAVEMENT SHALL BE COMPACTED IN LIFTS, IN A MANNER AND WITH MATERIAL SPECIFIED BY CITY OF MASSILLON OR ANY APPLICABLE O.D.O.T. SPECIFICATIONS.

ALL STORM SEWER TO BE HIGH DENSITY POLY-ETHYLENE CORRUGATED PIPE WITH AN INTEGRALLY FORMED SMOOTH INTERIOR INSTALLED IN ACCORDANCE WITH ASTM RECOMMENDED PRACTICE D-2321 UNLESS OTHERWISE SPECIFIED IN THE PLANS.

THE DEVELOPER/CONTRACTOR SHALL TAKE THE NECESSARY STEPS TO PREVENT SOIL EROSION AND DOWNWASH OF GRITS AND SEDIMENTS. SEE SHEET SWP3 FOR DETAILS.



GENERAL SANITARY SEWER NOTES: ROOF DRAINS, FOUNDATION DRAINS AND OTHER WATER CONNECTIONS TO THE SANITARY SEWER ARE PROHIBITED. ADOPTED 2/69.

A BULKHEAD MUST BE ERECTED IN EXISTING "TAP IN" MANHOLE WHICH SHALL REMAIN IN PLACE UNTIL THE NEW SEWER IS COMPLETED, TESTED AND APPROVED.

ALL SANITARY SEWERS AND APPURTENANCES SHALL BE CONSTRUCTED ACCORDING TO CITY OF MASSILLON ENGINEERING DEPARTMENT SPECIFICATIONS IN EFFECT AT THE TIME OF CONSTRUCTION.

FIRST FLOOR ELEVATION FOR BUILDINGS AT THE BUILDING SETBACK LINE SHALL BE A MINIMUM OF 6" ABOVE STREET CENTERLINE GRADE.

MINIMUM COVER OVER ALL SANITARY SEWERS MUST BE 4.0'.

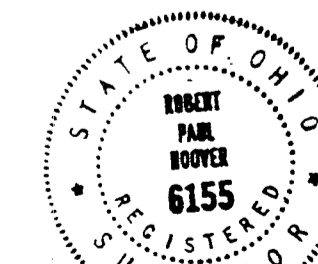
ALL SANITARY SEWERS, 8" DIAMETER AND LARGER, MUST PASS INTERNAL TELEVISION INSPECTION. THE CONTRACTOR SHALL PROVIDE COMPLETE, INTERNAL INSPECTION, VIDEOTAPE TO THE CITY OF MASSILLON ENGINEERING DEPARTMENT.

INFILTRATION AND/OR EXFILTRATION LEAKAGE TEST SHALL BE CONDUCTED WITH A MAXIMUM ALLOWABLE LIMIT TO BE 50 GAL. PER INCH OF PIPE DIAMETER PER MILE PER DAY.

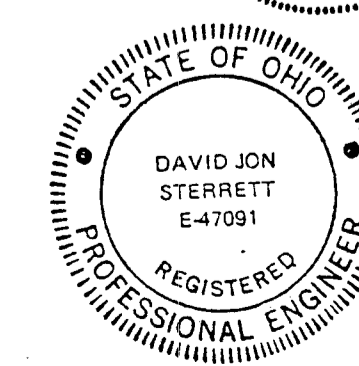
ALL SANITARY SEWERS SHALL BE MANDREL TESTED WITH A MAXIMUM DEFLECTION OF 5% FOR ABS AND PVC PIPES.

MANHOLE CONSTRUCTION SHALL MEET THE REQUIREMENTS OF ASTM C-478 AND C-443.

ALL MANHOLES SHALL BE AIR/VACUUM TESTED IN ACCORDANCE WITH AND MEET ALL THE REQUIREMENTS OF ASTM C1244.



PLAN PREPARED BY
 HOOPER and ASSOCIATES, Inc.
[Signature]
 ROBERT P. HOOPER - REG. SURVEYOR No. 6155



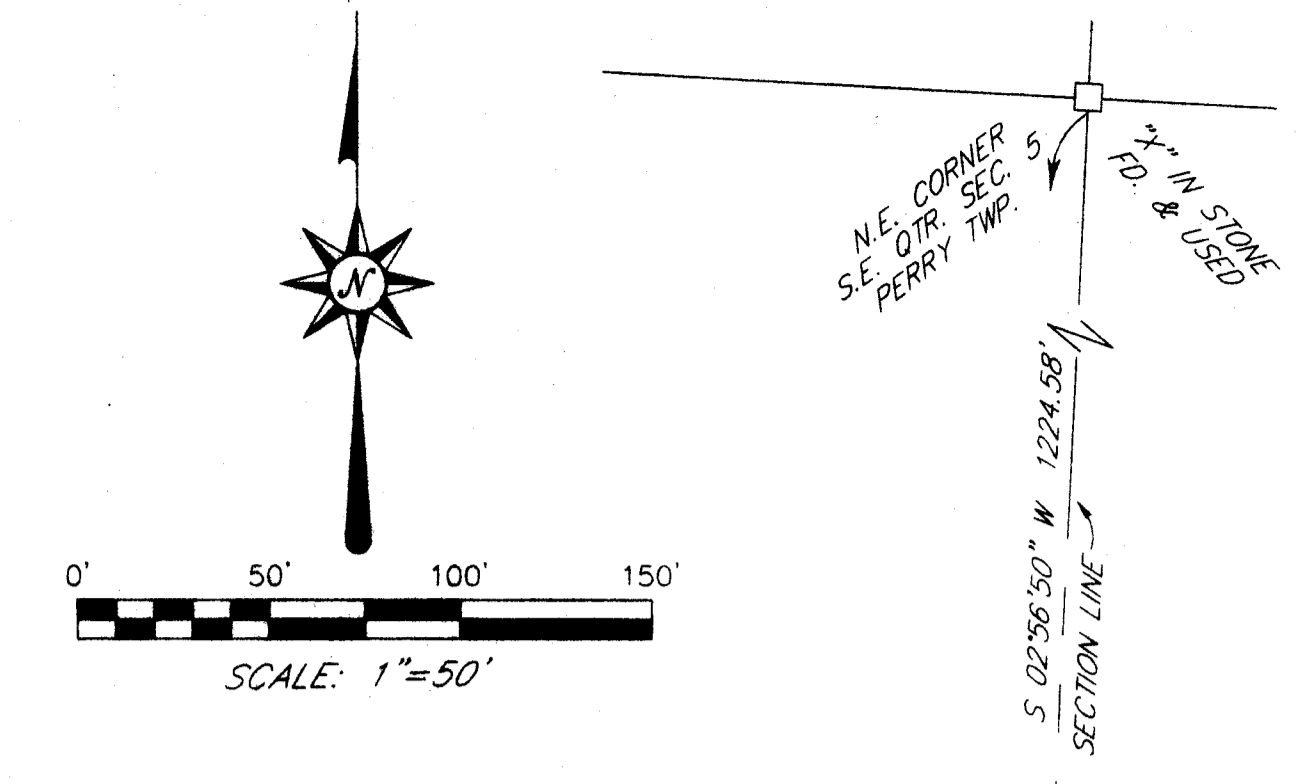
DAVID J. STERRETT - REG. ENGINEER No. E-47091
[Signature]

RECEIVED
 AUG 29 2002
 OHIO EPANEDO

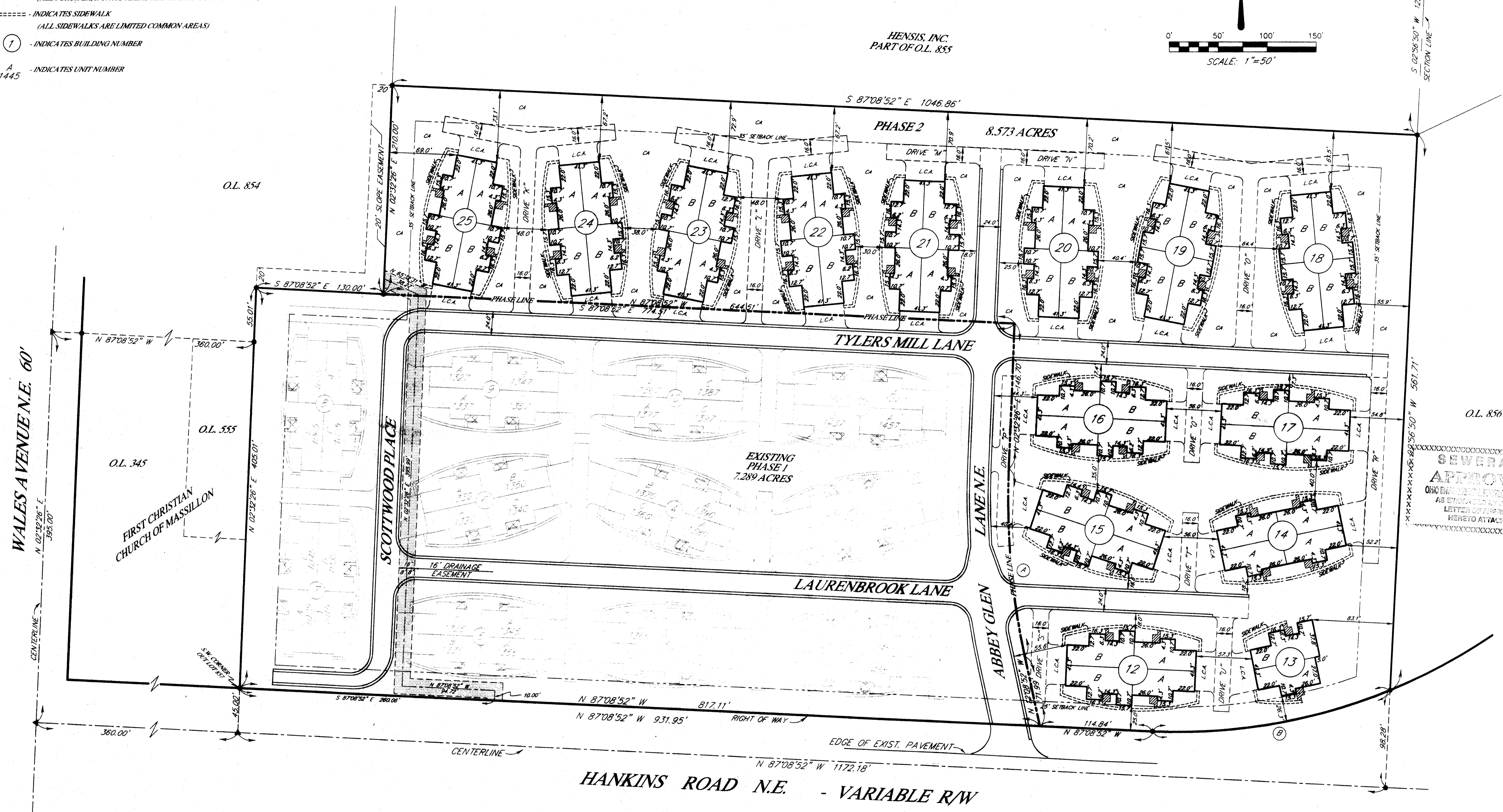
REVISION DESCRIPTION
 DATE
 DRAWN BY
 CHECKED BY
HOOPER & ASSOCIATES, Inc.
 Professional Surveying Services
 5782 Huckleberry Street N.W.
 North Canton, Ohio 44720
 Phone (330) 494-6744
 INDEX
 ABBEY GLEN CONDOMINIUMS - PHASE 2
 PART OF OUTLOT 857
 IN THE CITY OF MASSILLON
 STARK COUNTY, OHIO
 FEBRUARY 2002

- CA - INDICATES COMMON AREA
- LCA - INDICATES LIMITED COMMON AREA
- ▨ - INDICATES PORCH and/or PATIO AREA
(ALL PORCH and/or PATIO AREAS ARE LIMITED COMMON AREAS)
- - INDICATES SIDEWALK
(ALL SIDEWALKS ARE LIMITED COMMON AREAS)
- (7) - INDICATES BUILDING NUMBER
- A
1445 - INDICATES UNIT NUMBER

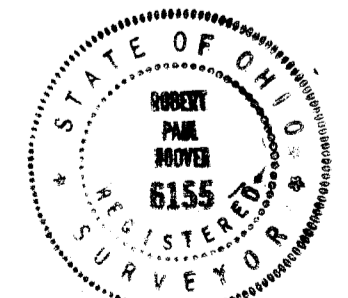
- INDICATES 5/8" IRON BAR SET
- ▲ INDICATES P.K. NAIL SET
- UNLESS OTHERWISE NOTED



HENSIS, INC.
PART OF O.L. 855



SEWERAGE
APPROVE
OHIO ENGINEERING BOARD
AS EXTENDED BY CITY OF
LETTER OF APPROVAL
HERE TO ATTACHED



PLAT PREPARED BY:
Robert P. Hoover
ROBERT P. HOOVER, P.S.
OHIO REG. No. 6155

- (A)
L=190.99'
R=745.00'
Δ=14°11'18"
C LEN=190.47'
BRG=S 04°48'13" E
T=96.02'
- (B)
L=248.42'
R=570.00'
Δ=24°38'16"
C LEN=246.46'
BRG=S 80°22'00" W
T=126.22'

RECEIVED FOR RECORD THIS _____ DAY OF _____
RECORDED IN VOLUME _____ PAGE _____
FEE \$ _____

STARK COUNTY RECORDER

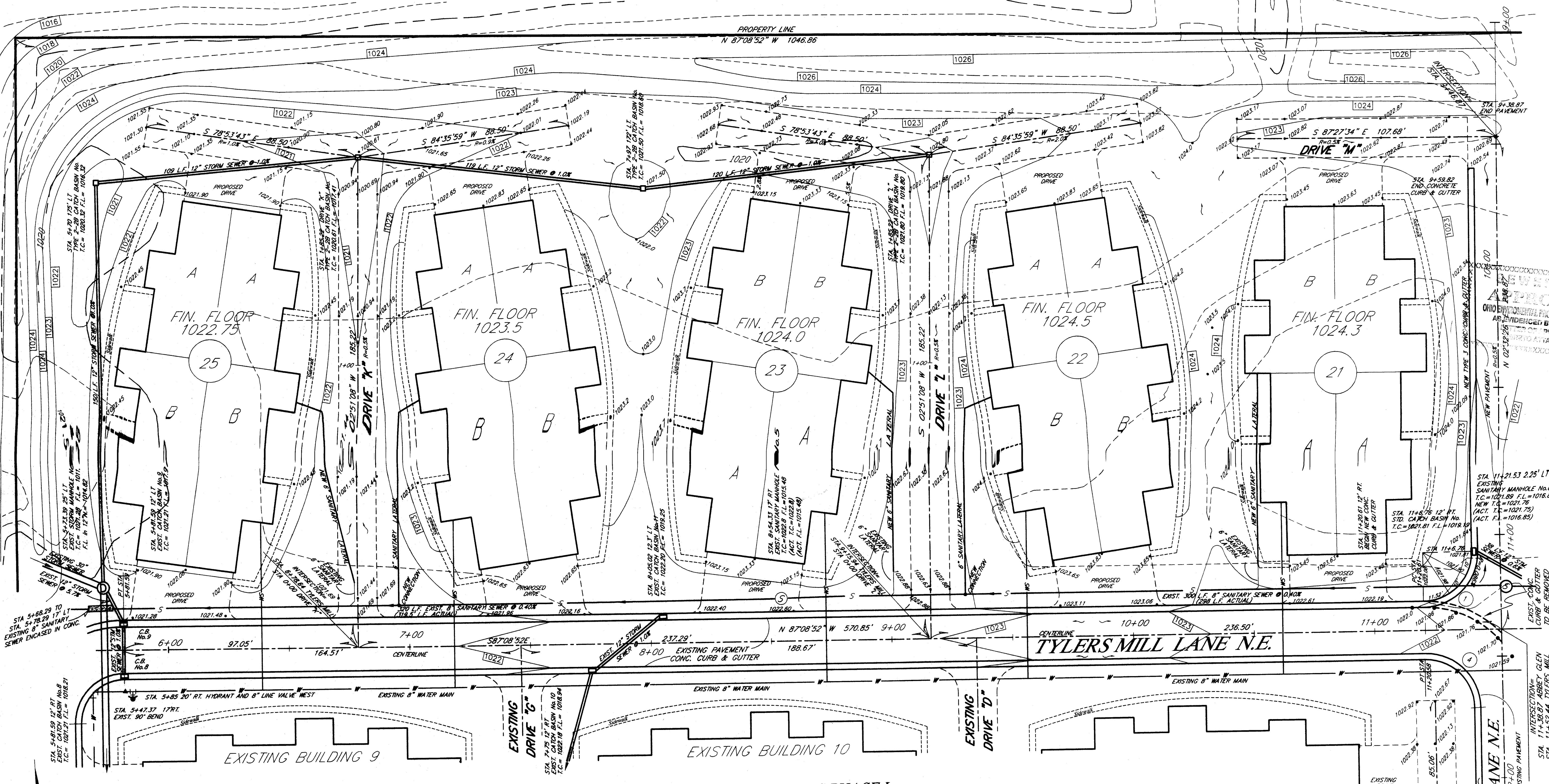
REVISION DESCRIPTION	DATE:
DRAWN BY:	CHECKED BY:

HOOVER & ASSOCIATES, Inc.
Professional Surveying Services
5782 Huckleberry Street, N.W.
North Canton, Ohio 44720
Phone (330) 494-6744

CONDOMINIUM PLAT
ABBEE GLEN CONDOMINIUMS
PART OF LOT 887,
IN CITY OF MASSILLON
IN STARK COUNTY, OHIO
SCALE: 1" = 50'
FEBRUARY 2002
CP

GERALD L. CODY
REG. ARCH. No. 4771

BENCH MARK ELEV.=1024.76
TOP OF HYDRANT AT STA. 11+75
20' LT. ABBEY GLEN LANE



ESTIMATED QUANTITIES
ABBIE GLEN - PHASE I

DESCRIPTION R1	QTY	UNIT
WATER MAIN		
8" D.I.P. WATER MAIN W/ POLYWRAP	402	L.F.
8" - 45' BEND	2	EA.
8" - 22 1/2' BEND	2	EA.
8" LINE VALVES	1	EA.
8" PLUG	1	EA.
8" x 4" REDUCER	1	EA.
4" D.I.P. WATER MAIN W/ POLYWRAP	252	L.F.
4" - 22 1/2' BEND	4	EA.
BLOW OFF ASSEMBLY	1	EA.
HYDRANTS (COMPLETE)	1	EA.
WATER SERVICES	14	EA.

DESCRIPTION R1	QTY	UNIT
STORM SEWERS		
12" HDPE STORM SEWER	707.42	1419 L.F.
TYPE 2-20 CATCH BASIN	604	9 EA.
STANDARD CATCH BASIN	604	7 EA.

DRIVES

DESCRIPTION	QTY	UNIT
EXCAVATION/EMBANKMENT	203	LUMP
COMPACTED SUBGRADE	3569	S.Y.
BIT PRIME COAT (40AL/5Y)	408	GAL.
4 1/2" BIT AGGREGATE BASE	301	C.Y.
1" ASPHALTIC CONCRETE	404	C.Y.

OR EQUAL

ROADWAYS

DESCRIPTION	QTY	UNIT
EXCAVATION/EMBANKMENT	203	LUMP
COMPACTED SUBGRADE	1909	S.Y.
BIT PRIME COAT (40AL/5Y)	408	GAL.
5 1/2" BIT AGGREGATE BASE	301	C.Y.
1" ASPHALTIC CONCRETE	404	C.Y.
TYPE 3 CURB & GUTTER	609	L.F.
REMOVE EXIST. CURB & GUTTER	609	L.F.
EROSION CONTROL	207	LUMP

SANITARY SEWERS

DESCRIPTION	QTY	UNIT
8" SANITARY SEWER	710	L.F.
8" SANITARY SEWER (LATERAL)	689	L.F.
8" x 6" WYES	9	EA.
8" - 45' BENDS	9	EA.
8"x6" TEE SADDLE	2	EA.
8" PLUG & MARKER	14	EA.
MANHOLES (COMPLETE)	3	EA.

ABBIE GLEN CONDOMINIUMS PHASE I

HOOPER & ASSOCIATES, Inc.
Professional Surveying Service
5782 Hackberry Street, N.W.
North Canton, Ohio 44720
phone (330) 494-6744

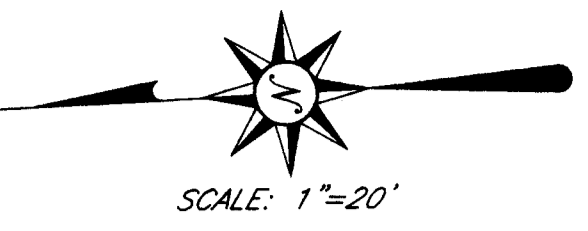
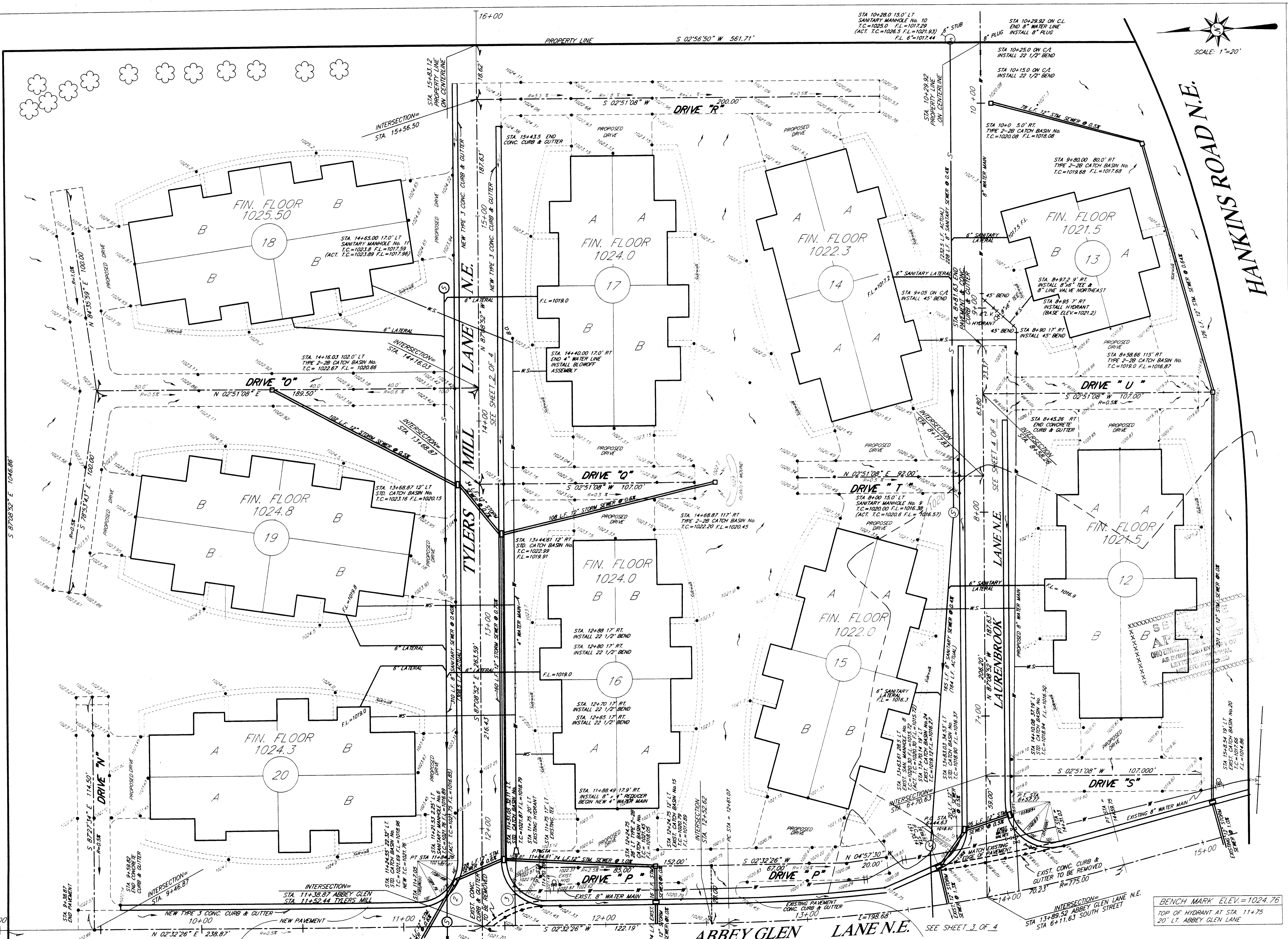
ABBIE GLEN CONDOMINIUMS PHASE II
PART OF OUT LOT 857
IN THE CITY OF MASSILLON
STARK COUNTY, OHIO

GRADING PLAN

DATE: AUG. 2002
DRAWN BY: [Name]
CHECKED BY: [Name]

REVISION DESCRIPTION
ADDED ASBUILTS

SHEET GP-1
FEBRUARY 2002
SCALE: 1"=20'



SCALE: 1"=20'

HANKINS ROAD N.E.

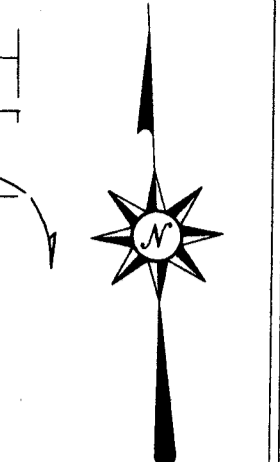
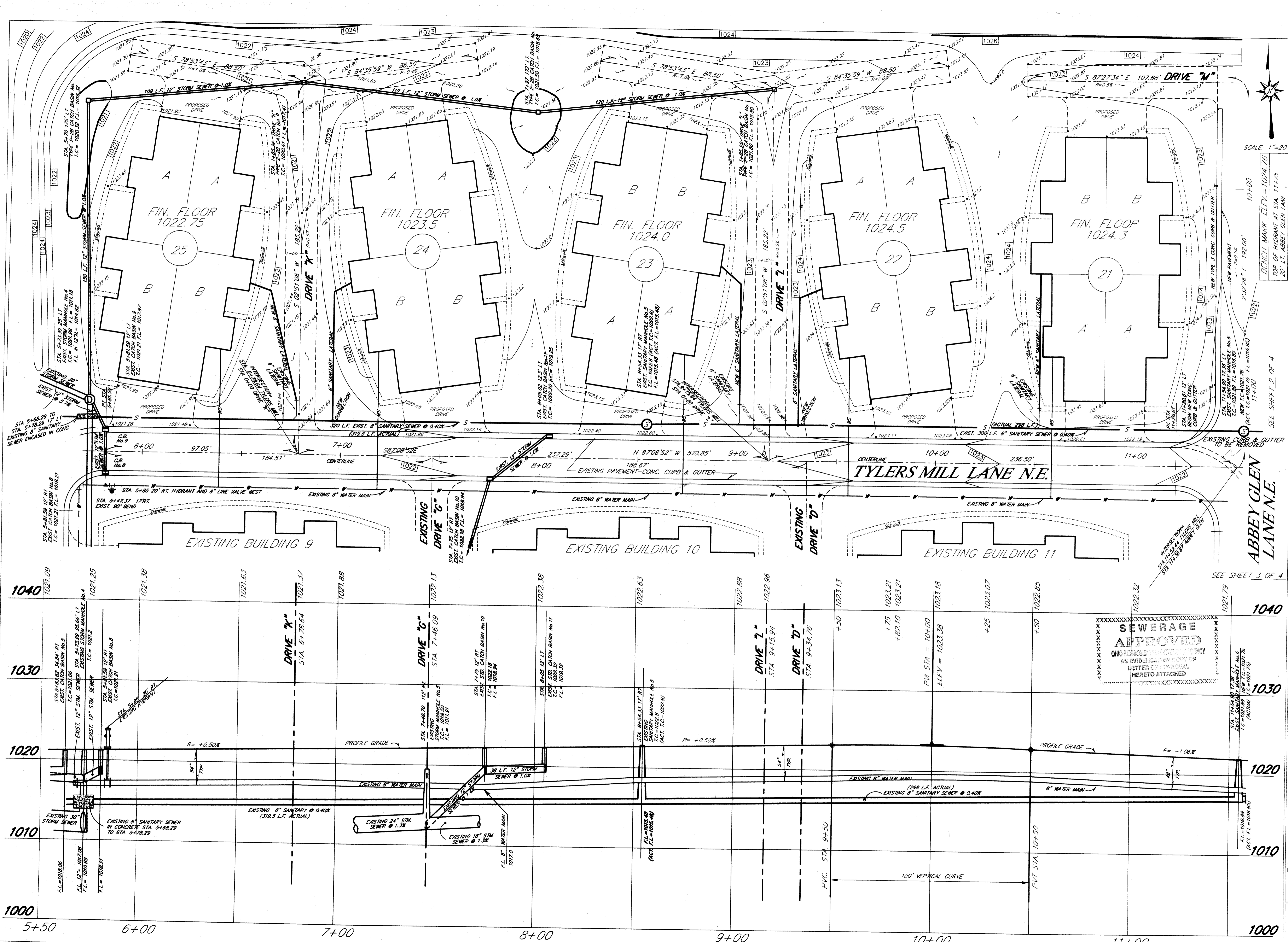
DATE:	REVISION DESCRIPTION:
APRIL 2002	REVISED SANITARY & WATER
AUG. 2002	ADDED ASBUILTS

HOOVER & ASSOCIATES, Inc.
Professional Surveying Services
5782 Hickokery Street N.W.
North Canton, Ohio 44720
phone (330) 494-6744

GRADING PLAN
ABBE GLEN CONDOMINIUMS
PHASE II
PART OF LOT 857
IN THE CITY OF MASSILLON
SARASOTA COUNTY, OHIO

DATE: FEBRUARY 2002
SHEET: CP-2

BENCH MARK ELEV.=1024.76
TOP OF HYDRANT AT STA. 11+75
20' LT. ABBEY GLEN LANE



SCALE: 1"=20'

BENCHMARK ELEV. = 1024.76
 TOP OF HYDRANT AT STA. 11+75
 20' LT. ABBEY GLEN LANE

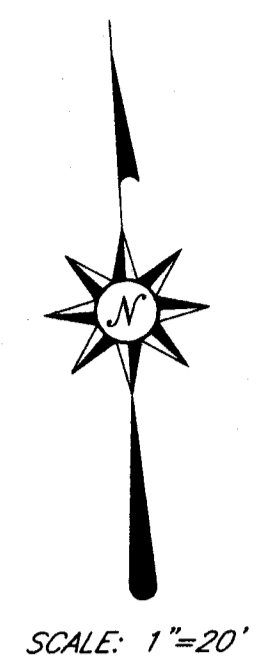
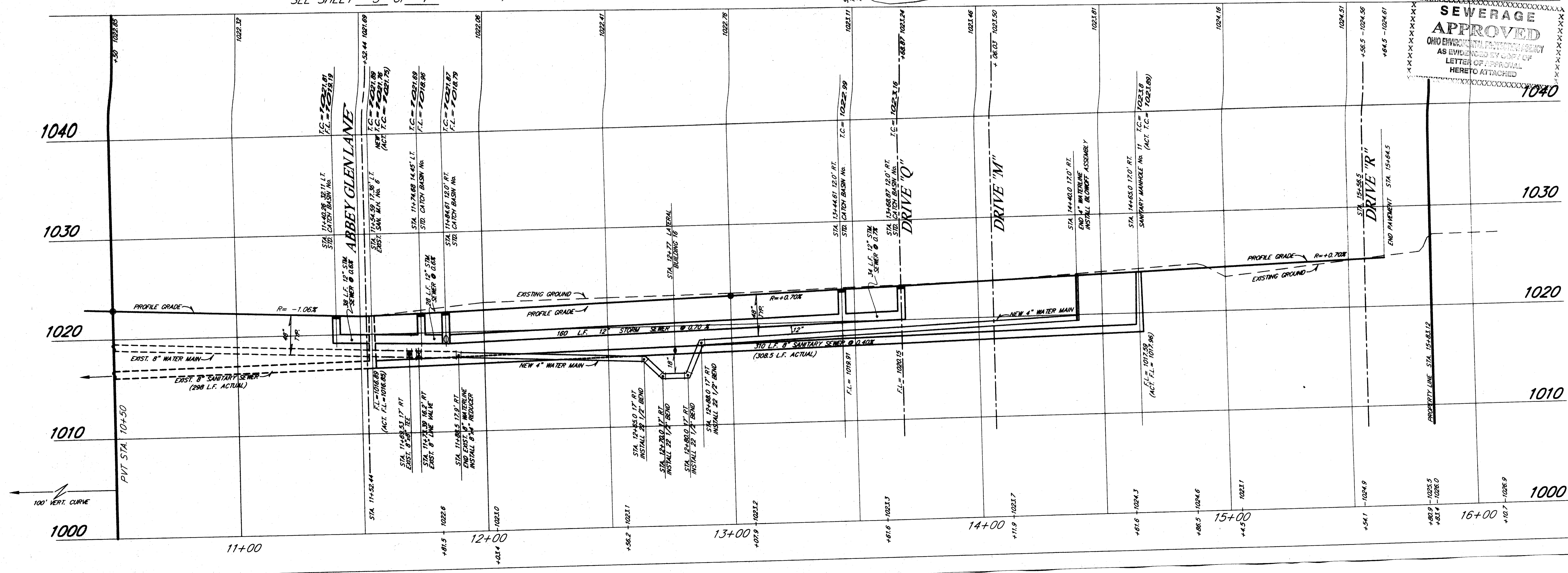
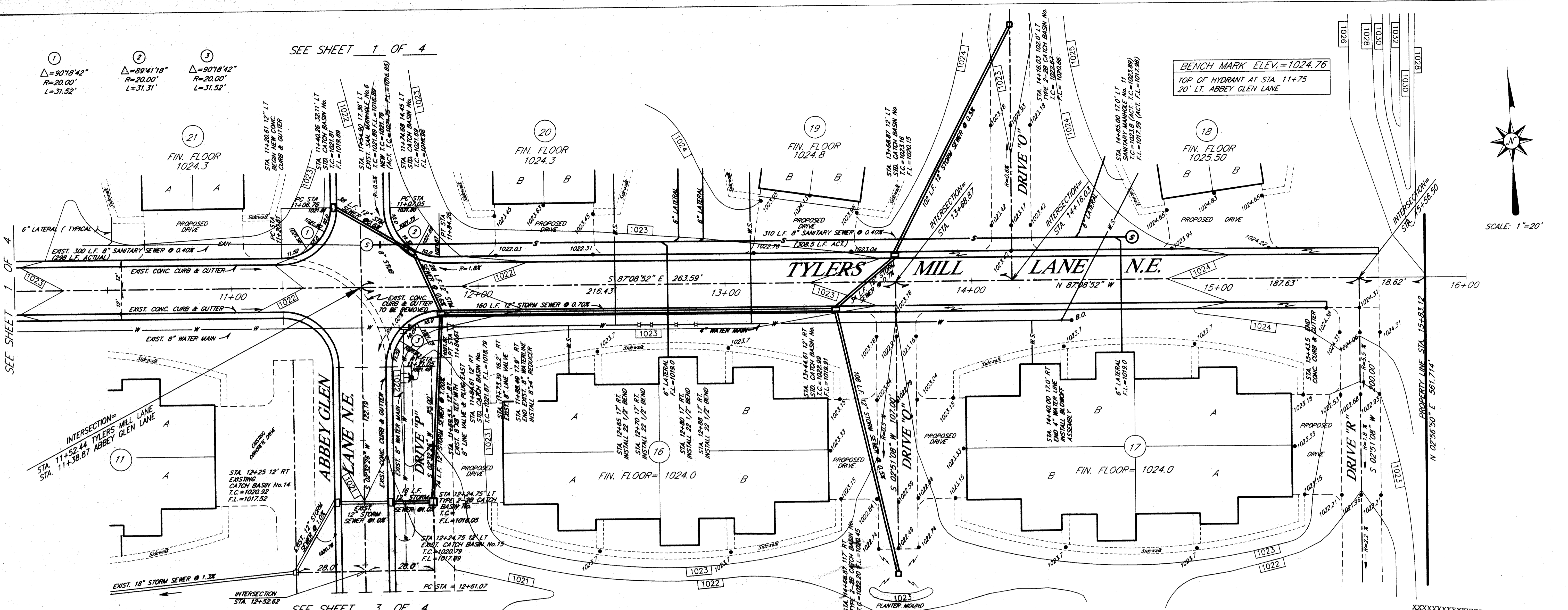
SEE SHEET 2 OF 4

REVISION DESCRIPTION	DATE	DRAWN BY	CHECKED BY
ADDED SANITARY ASSEUILYS	AUG. 2002		

HOOVER & ASSOCIATES, Inc.
 Professional Surveying Services
 5782 Hochstettery Street N.W.
 North Canton, Ohio 44720
 phone (330) 494-6744

SEWERAGE APPROVED
 ON BEHALF OF THE CITY OF MASSILLON
 AS EVIDENCED BY COPY OF
 LETTER OF APPROVAL
 HERETO ATTACHED

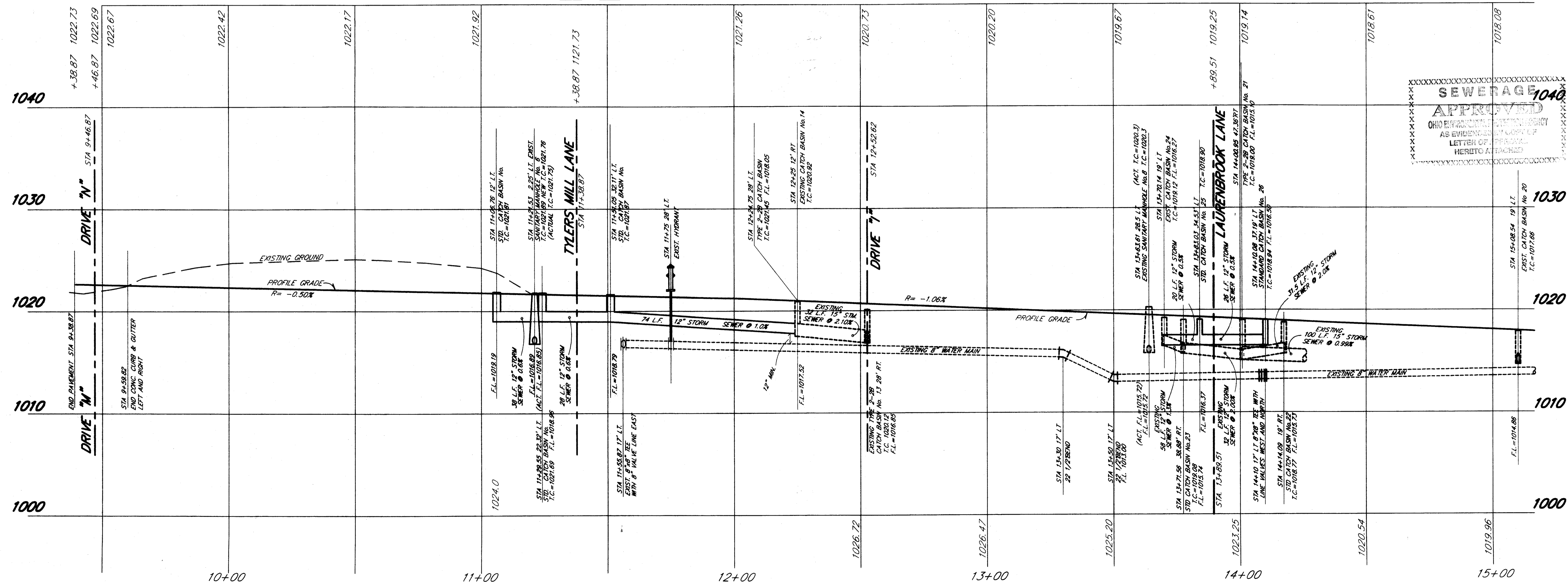
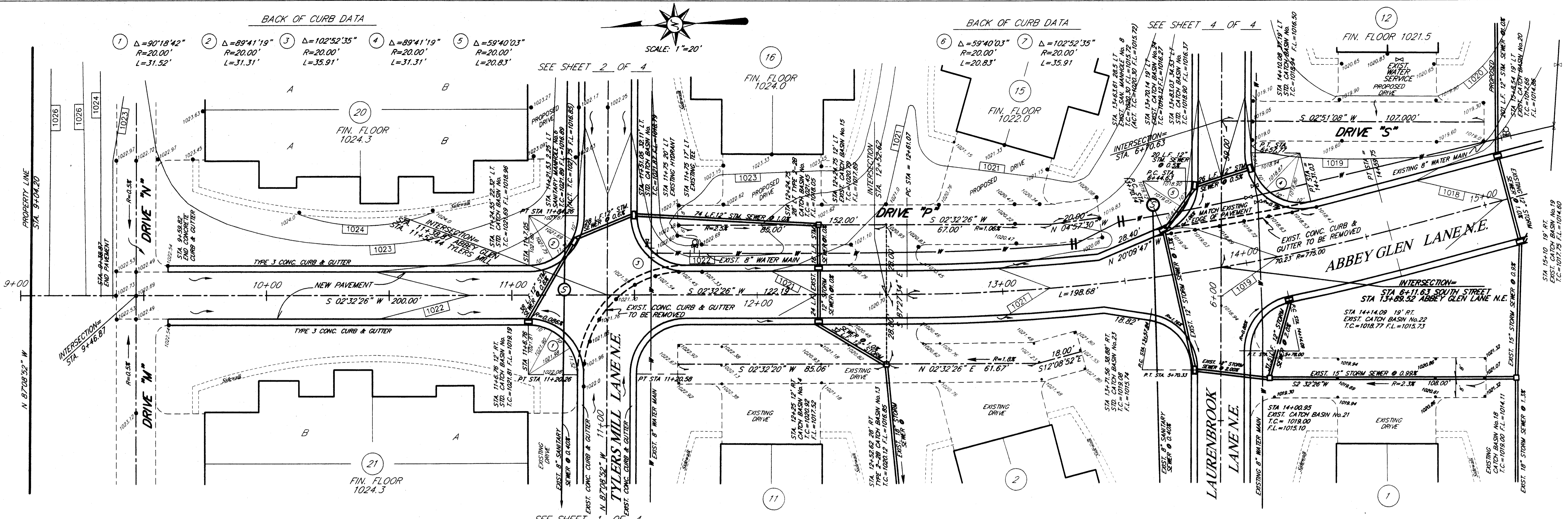
PLAN & PROFILE (EXISTING TYLERS MILL LANE)
ABBAY GLEN CONDOMINIUMS
 PART OF OUT LOT 857
 IN THE CITY OF MASSILLON
 STARK COUNTY, OHIO
 FEBRUARY 2002
 SCALE: HOR. 1"=20'
 VERT. 1"=5'
 SHEET 1 OF 4



REVISION DESCRIPTION	DATE
ADDED SANITARY AS BUILTS	AUG. 2002

DRAWN BY:
 CHECKED BY:
HOOVER & ASSOCIATES, Inc.
 Professional Surveying Services
 5782 Huckleberry Street, N.W.
 North Canton, Ohio 44720
 Phone (330) 494-6744

PLAN & PROFILE (TYLERS MILL EXTENSION)
ABBEY GLEN CONDOMINIUMS
 PART OF OUT LOT 857
 IN THE CITY OF MASSILLON
 STARK COUNTY, OHIO
 HOR. 1"=20'
 VERT. 1"=5'
 FEBRUARY 2002
 SHEET 2 OF 4



HOOPER & ASSOCIATES, Inc.
 Professional Surveying Services
 5782 Huckleberry Street, N.W.
 North Canton, Ohio 44720
 Phone (330) 494-6744

ABBAY GLEN CONDOMINIUMS
 PART OF LOT 857
 IN THE CITY OF MASSILLON
 STARK COUNTY, OHIO

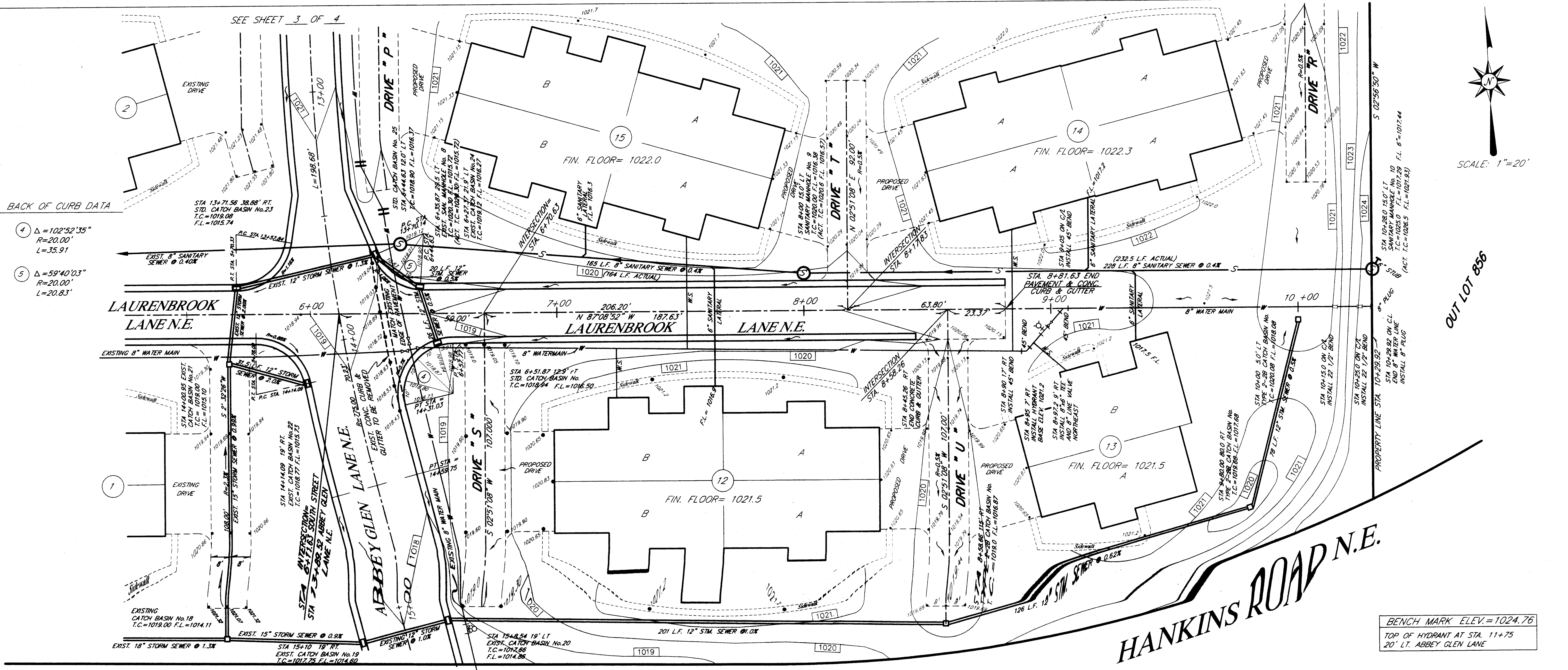
PLAN & PROFILE (ABBAY GLEN LANE)

REVISION DESCRIPTION
 DATE: AUG. 2002
 DRAWN BY:
 CHECKED BY:

NO. 1-29
 FEBRUARY 2002
 SHEET 3 OF 4

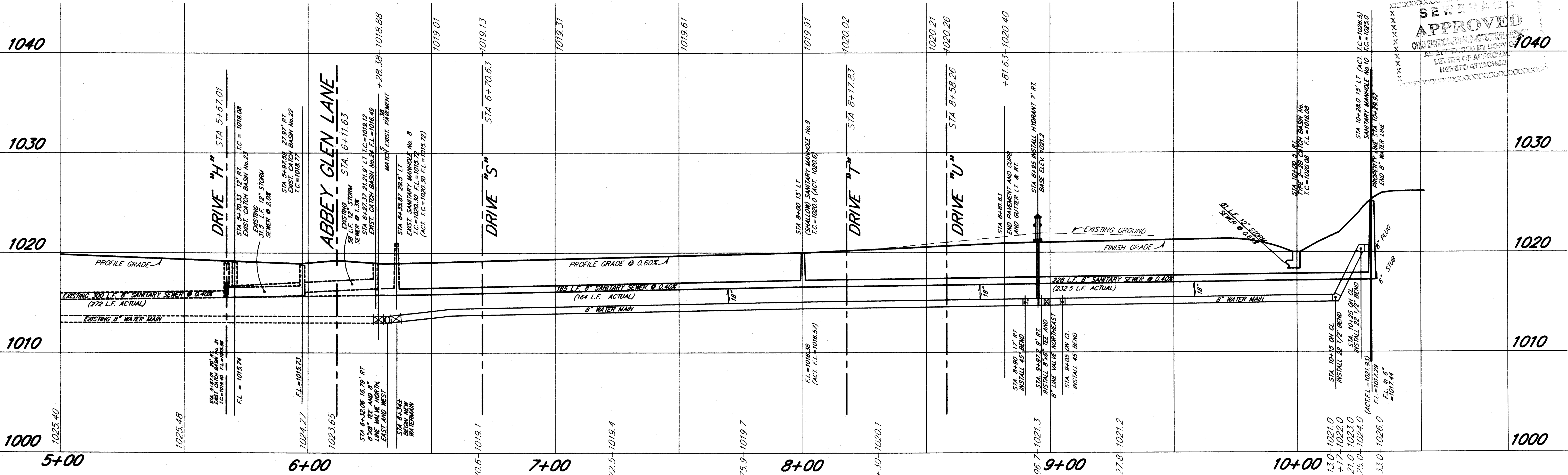
BACK OF CURB DATA

- ④ $\Delta = 102^{\circ}52'35''$
R=20.00'
L=35.91
- ⑤ $\Delta = 59^{\circ}40'03''$
R=20.00'
L=20.83'



SCALE: 1"=20'

BENCH MARK ELEV.=1024.76
TOP OF HYDRANT AT STA. 11+75
20' LT. ABBEY GLEN LANE



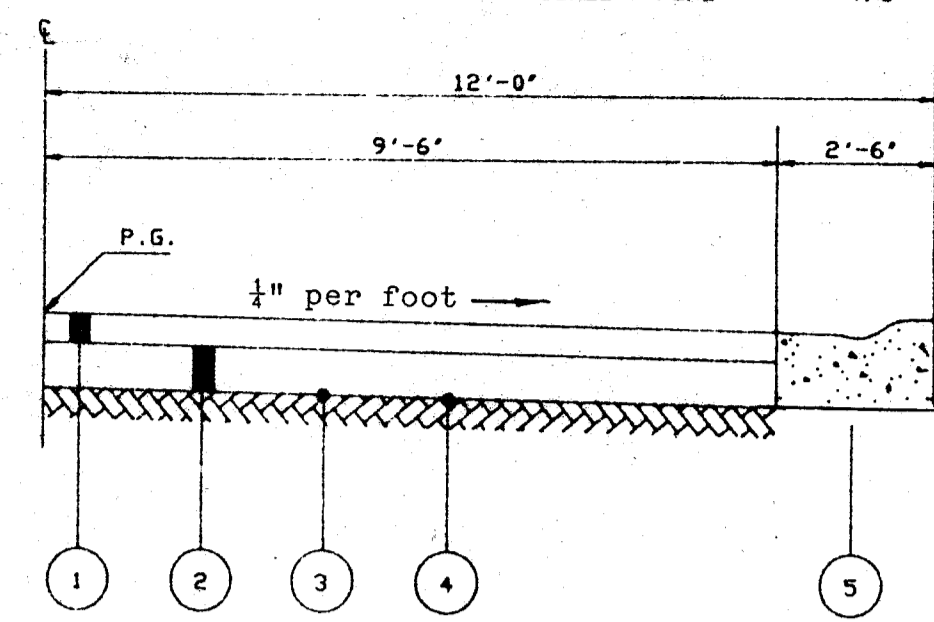
DATE:	REVISION DESCRIPTION:
AUG. 2002	ADDED SANITARY AS BUILTS

DRAWN BY:	CHECKED BY:

HOOVER & ASSOCIATES, Inc.
Professional Surveying Service
5782 Huckleberry Street, N.W.
North Canton, Ohio 44720
phone (330) 494-6744

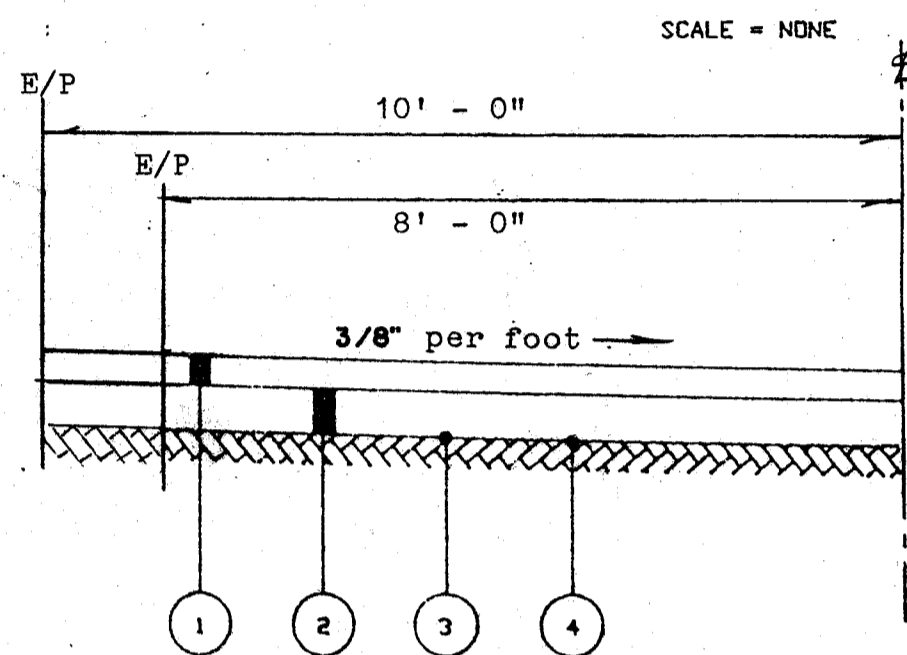
PLAN & PROFILE (LAURENBROOK LANE 1X1)
ABBEE GLEN CONDOMINIUMS
PART OF OUT LOT 857
IN THE CITY OF MASSILLON
STARK COUNTY, OHIO
SCALE: HOR. 1"=20' VERT. 1"=5'
FEBRUARY 2002 SHEET 4 OF 4

MAIN STREET
TYPICAL ROADWAY HALF SECTION
SCALE = NONE T/C = 1/4" = 0.08'

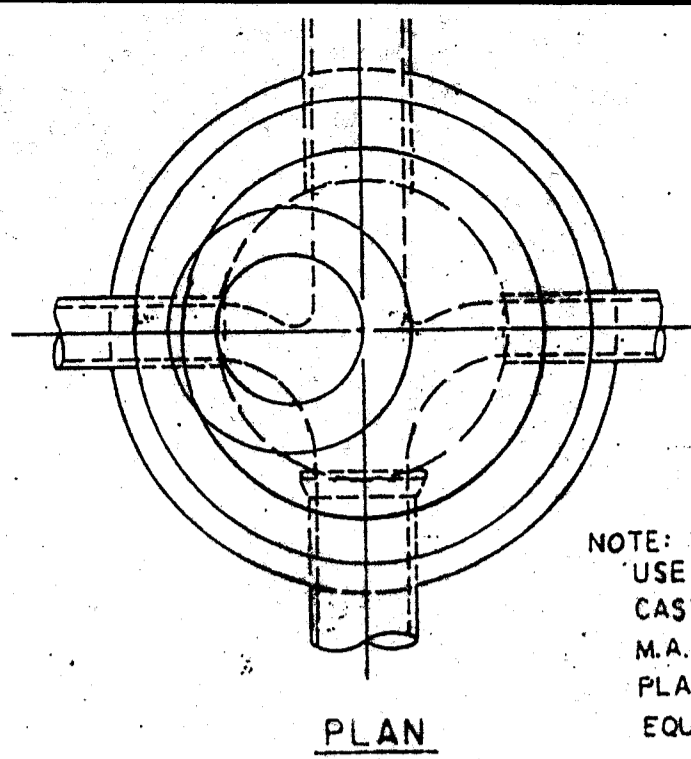


- ① ITEM 404 1" ASPHALT CONCRETE SURFACE
- ② ITEM 301 5-1/2" BITUMINOUS AGGREGATE BASE
- ③ ITEM 408 BITUMINOUS PRIME COAT
- ④ ITEM 203 COMPACTED SUBGRADE
- ⑤ ITEM 609 TYPE 3 CONCRETE CURB AND GUTTER

16' AND 20' ROADWAYS
TYPICAL ROADWAY HALF SECTION
SCALE = NONE

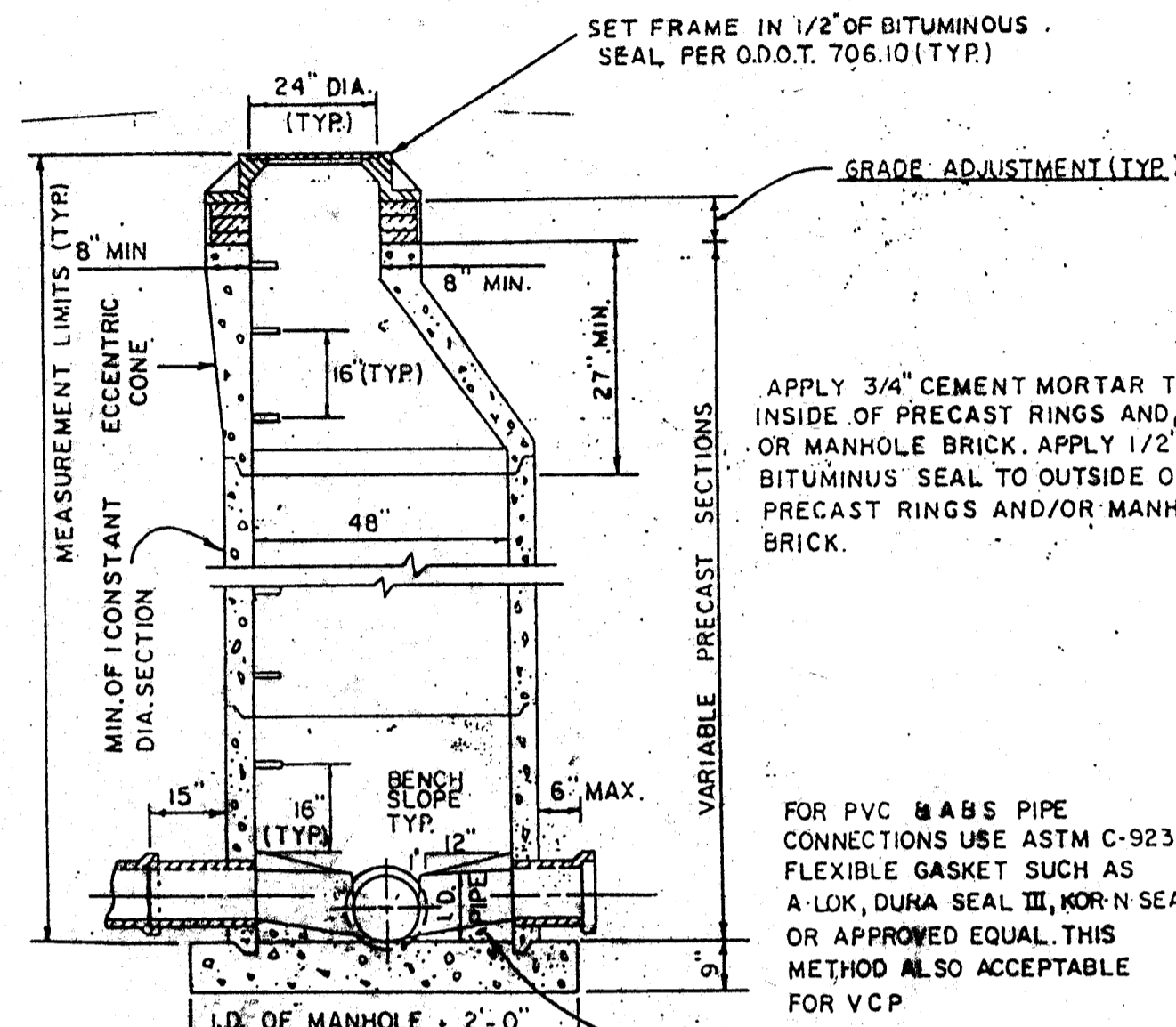


- ① ITEM 404 1" ASPHALT CONCRETE SURFACE
- ② ITEM 301 4-1/2" BITUMINOUS AGGREGATE BASE
- ③ ITEM 408 BITUMINOUS PRIME COAT
- ④ ITEM 203 COMPACTED SUBGRADE



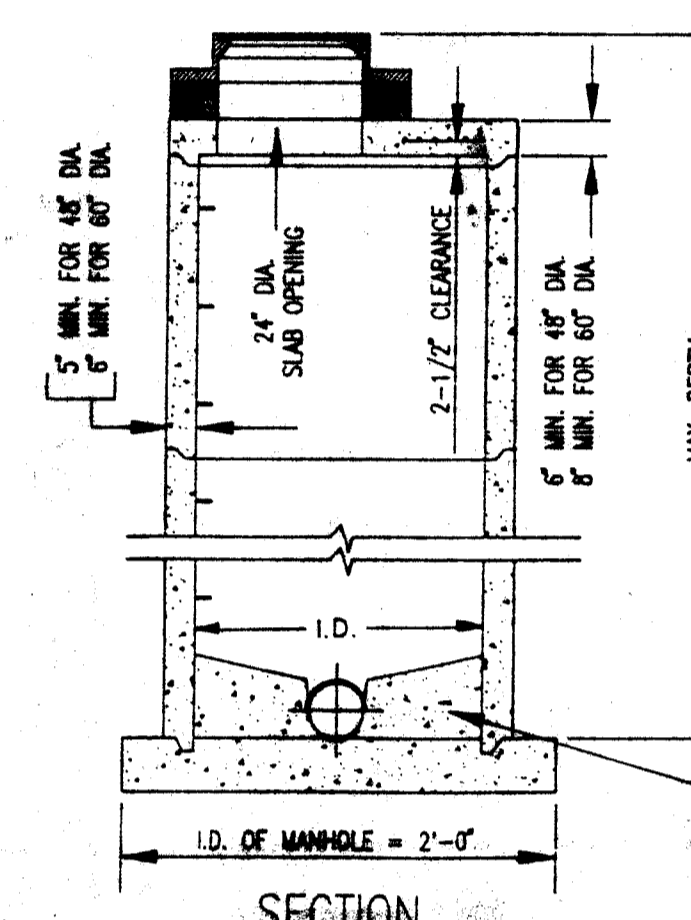
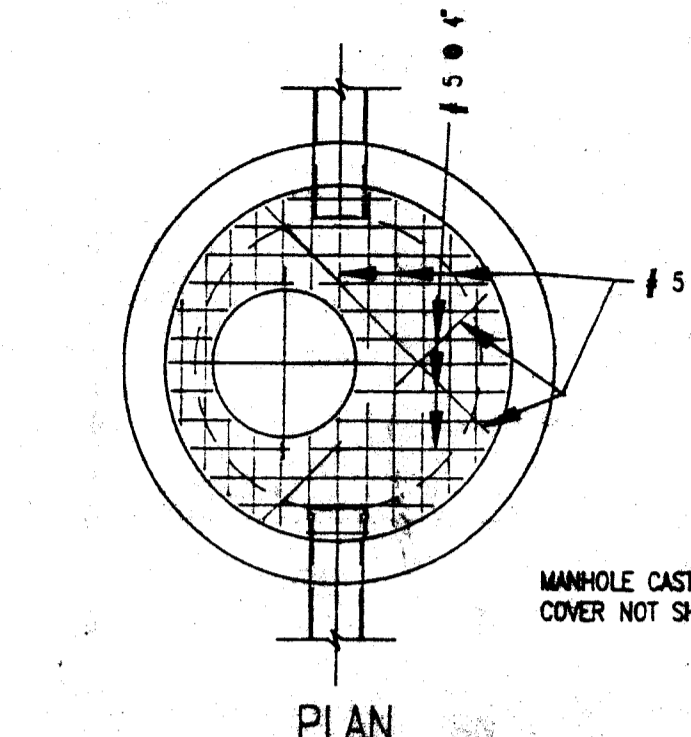
NOTE
IF TOP STEP IS IN
24" DIA. SECTION
IT MAY PROJECT NO
MORE THAN 3/2"

NOTE:
USE NEENAH R-1980-E
CAST IRON MANHOLE STEPS
M.A. IND. PS-1 PF REINFORCED
PLASTIC STEPS OR APPROVED
EQUAL

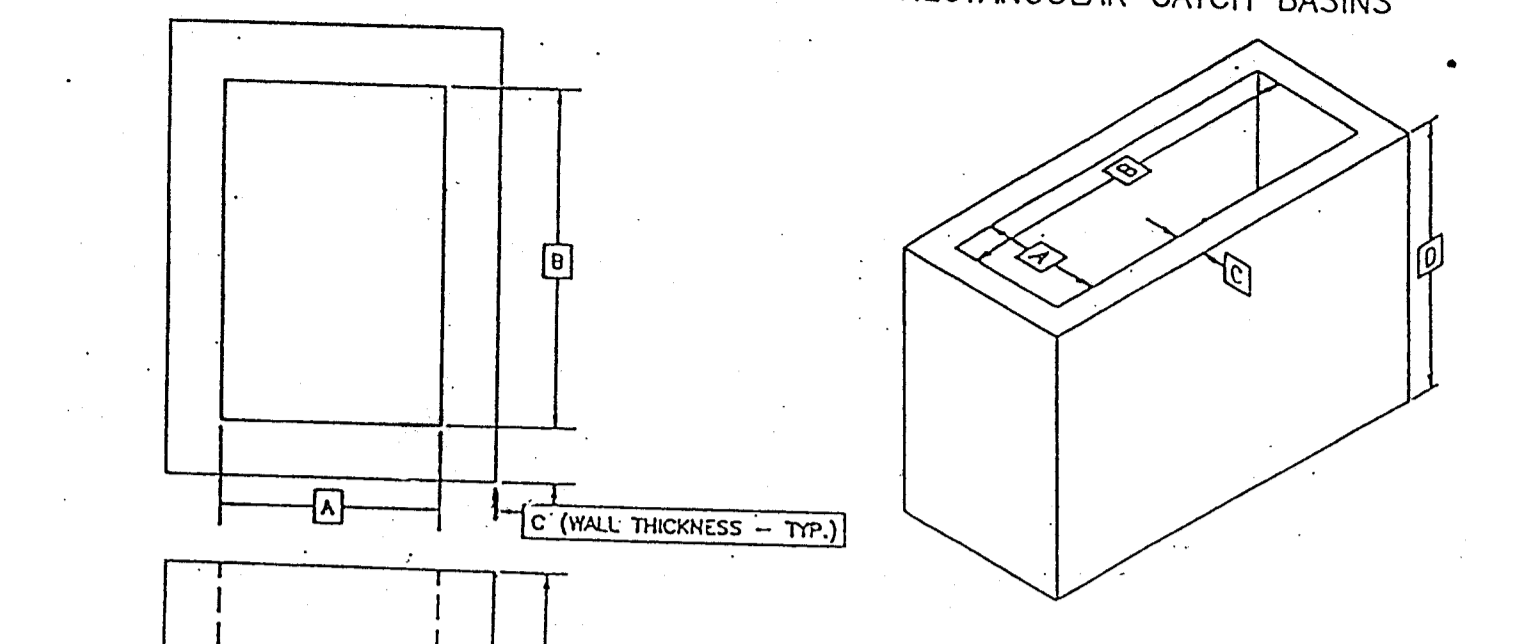


SECTION
PRECAST MANHOLE

Manhole construction shall meet the requirements of ASTM C-478 and C-443. All manholes shall be air/vacuum tested in accordance with and meet the requirements of ASTM G1244.



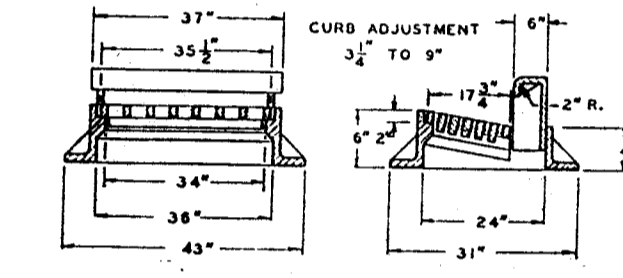
SECTION
SHALLOW PRECAST MANHOLE



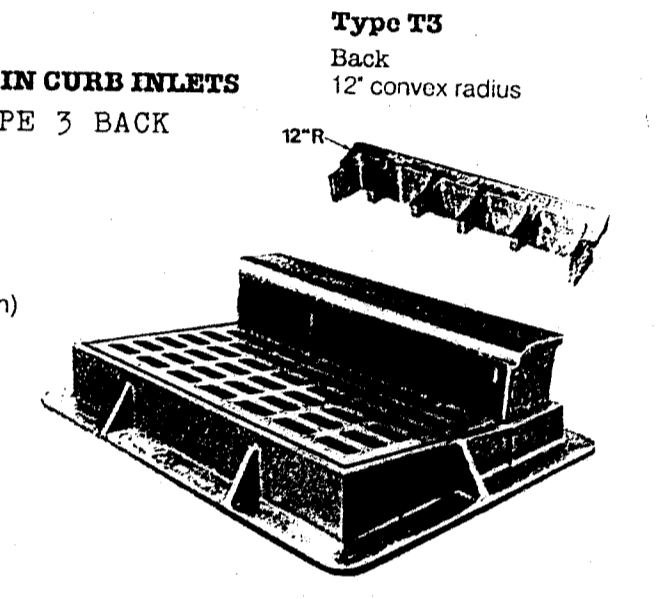
TYPE	SIZE	A	B	C	D
O.D.O.T. #3A	30" X 31"	30"	31"	6"	0' TO 4'-6"

Heavy Duty
7030

Approximately 245 square inches of opening
Type M6 grate available in both gray and ductile iron (specify type iron)

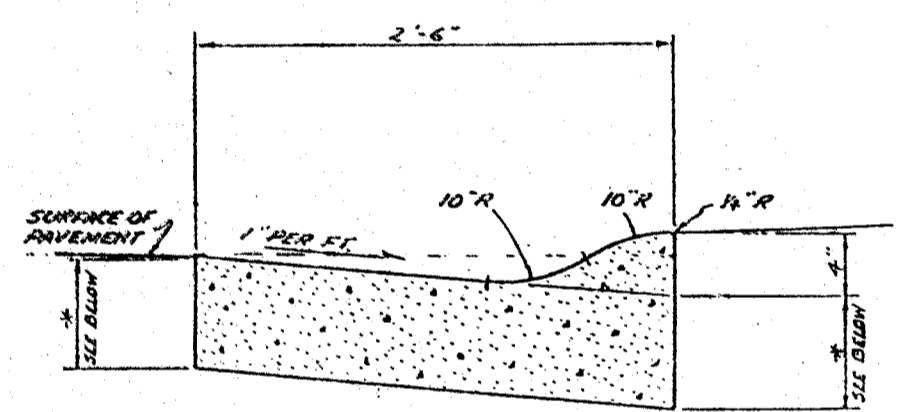


CATCH BASIN CURB INLETS
WITH TYPE 3 BACK

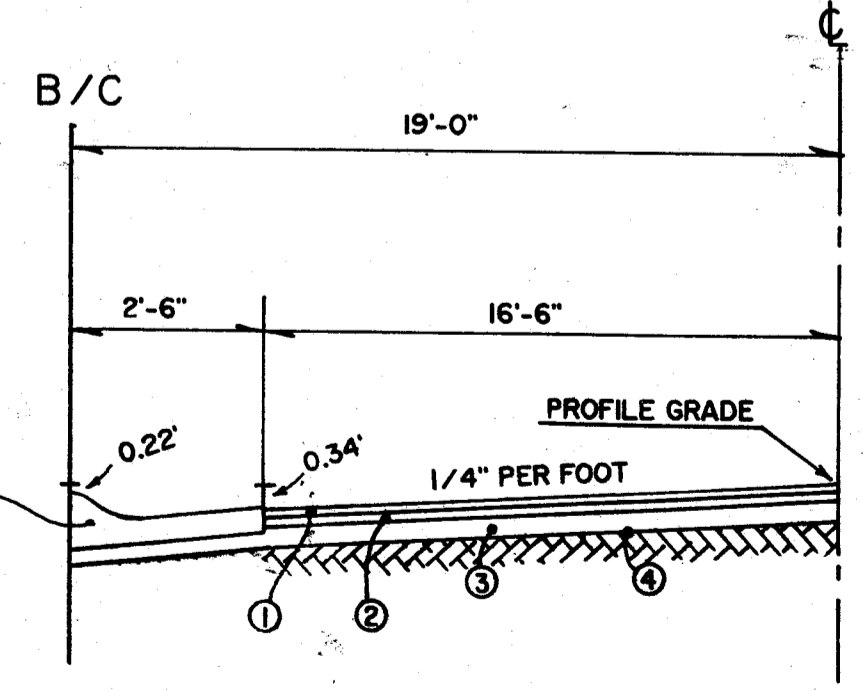


DETAIL CATCH BASIN CASTING
SEWERAGE
APPROVED
OHIO DEPARTMENT OF TRANSPORTATION
AS EVIDENCED BY COPY OF
LETTER OF APPROVAL
HERETO ATTACHED

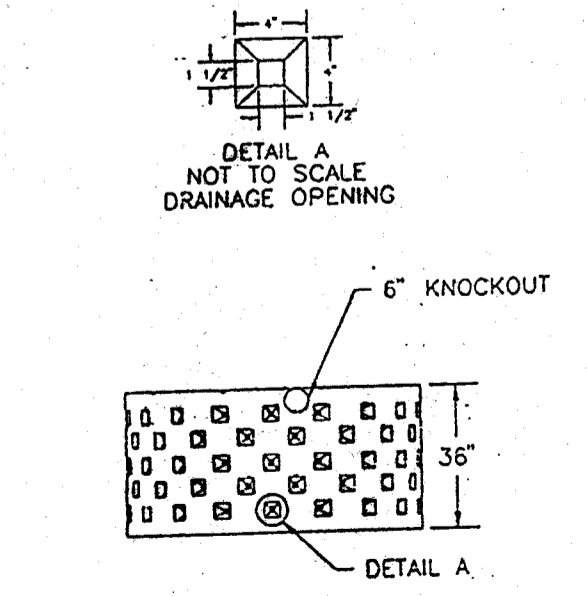
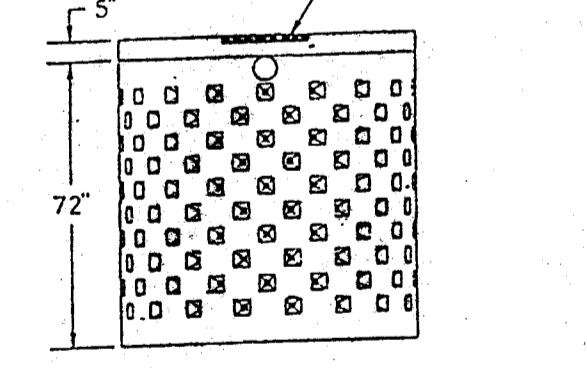
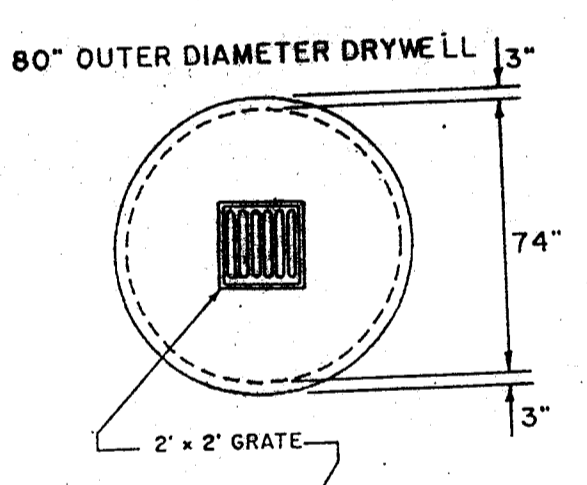
ITEM 609
STANDARD TYPE 3 CONCRETE
CURB AND GUTTER



19' ROADWAY
TYPICAL ROADWAY HALF SECTION
SCALE = NONE



- ① ITEM 404 1" ASPHALT CONCRETE
- ② ITEM 301 3" BITUMINOUS AGGREGATE BASE
- ③ ITEM 304 6" AGGREGATE BASE
- ④ ITEM 203J3 6" COMPACTED SUBGRADE
- ⑤ ITEM 609 TYPE 3 CONCRETE CURB & GUTTER



DRYWELL DETAIL

CATCH BASIN No. 2-2A

CATCH BASIN No. 2-2B

SECTION THRU ANGLE FRAME FOR STANDARD No. 2-2A CATCH BASIN

NOTES:
GRATE AND FRAME: The grate shall be...
WALLS: Brick or cast-in-place walls...
CONCRETE: Cast-in-place concrete...
PRECAST BASE: If a precast base is used...
LOCATION AND ELEVATION: When given on the plans...
MINIMUM DEPTH: The minimum depth of CB No. 2-2A...
OPERATION: Pipe manholes shall be the O.D. of the pipe...
2-2A SIDE INLET: Frames shall be provided on both sides...
CONSTRUCTION INFORMATION: Standard Construction CB-1.1M...
All dimensions are in millimeters unless otherwise noted.

inmate units
BUREAU OF LOCATION AND DESIGN
OHIO DEPARTMENT OF TRANSPORTATION
DATE: 7-1-95
CATCH BASINS No's 2-2A & B
STANDARD CONSTRUCTION CB-1.1M
APPROVED: R. Y. HARRIS
ENCL. 1 & 2

CATCH BASINS No. 2-3 & No. 2-4

NOTES:
GRATE: See Detail on Site. Cast. Dwg. CB-1M. Minimum mesh 1/2" x 1/2".
WALLS: Brick or cast-in-place walls shall have a minimum thickness of 200 mm...
CONCRETE: Cast-in-place concrete is to be Class C...
PRECAST BASE: If a precast base is used...
LOCATION AND ELEVATION: When given on the plans...
MINIMUM DEPTH: The minimum depth of CB No. 2-3...
OPERATION: Pipe manholes shall be the O.D. of the pipe...
2-3 SIDE INLET: Frames shall be provided only when specified on the plans...
CATCH BASIN SIZE OUTLET PIPE SIZE
2-3 300 TO 350 mm
2-4 300 TO 350 mm
All dimensions are in millimeters unless otherwise noted.

inmate units
BUREAU OF LOCATION AND DESIGN
OHIO DEPARTMENT OF TRANSPORTATION
DATE: 7-1-95
CATCH BASINS No's 2-3 & 2-4
STANDARD CONSTRUCTION CB-1.2M
APPROVED: R. Y. HARRIS
ENCL. 1 & 2

DETAIL SHEET
ABBEY GLEN CONDOMINIUMS
OUT LOT 857
in the CITY OF MASSILLON
STARK COUNTY, OHIO

DRAWN BY	DATE	REVISION DESCRIPTION
	6/16/99	REV. PER SAN ENGR
CHECKED BY		

HOOVER and ASSOCIATES, Inc.
PROFESSIONAL SURVEYING SERVICES
5782 HUCKLEBERRY STREET N.W. NORTH CANTON, OHIO 44720
SCALE: HOR. VERT.
SHEET: DETAIL