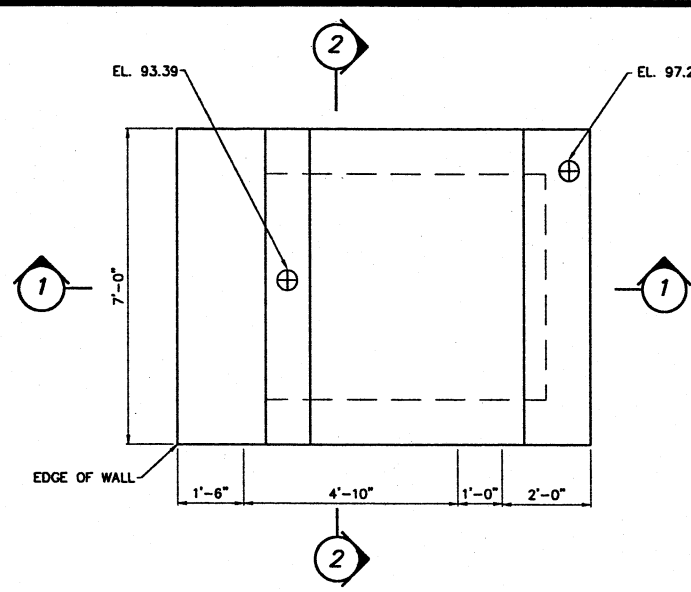
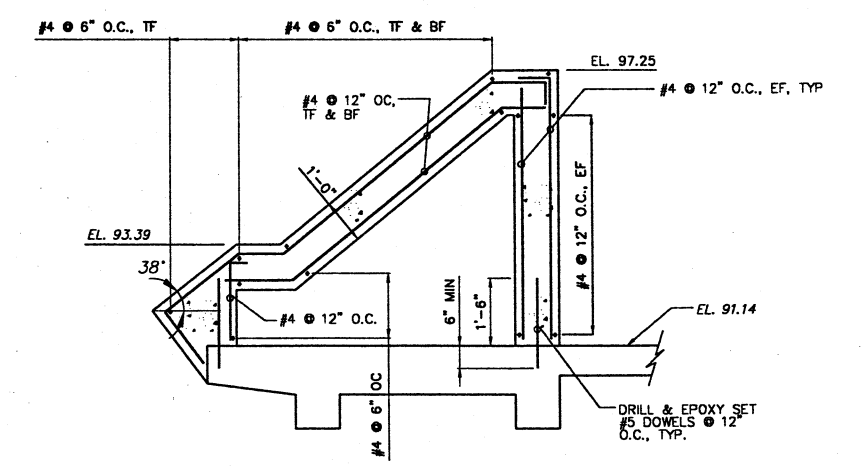


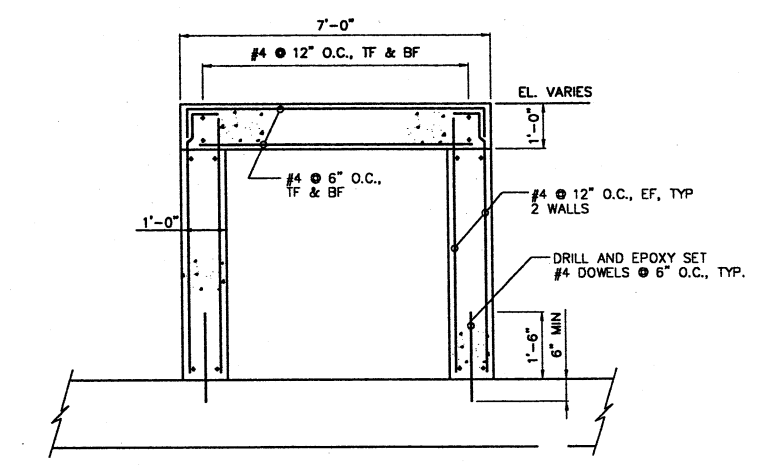
E:\E9031\SP1.dwg Wed Sep 12 10:41:35 2001



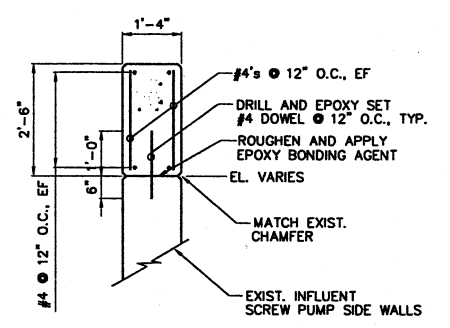
MOUNTING PEDESTAL PLAN
SCALE: 1/2" = 1'-0"



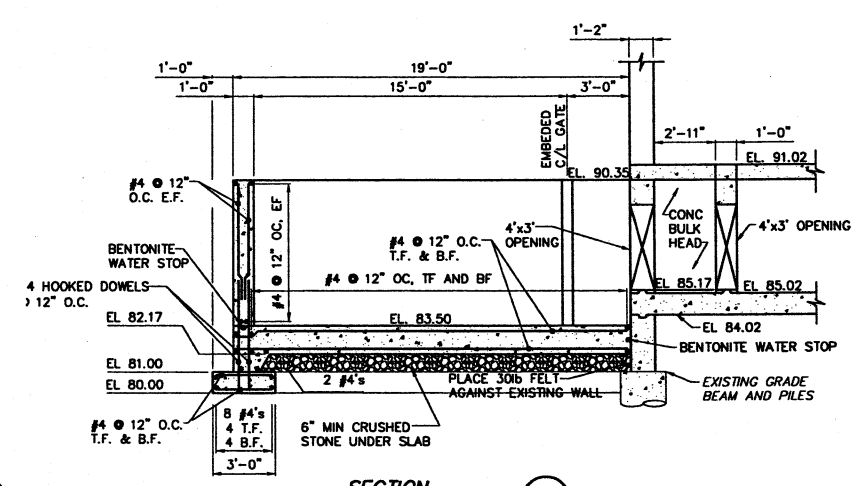
SECTION 1
SCALE: 1/2" = 1'-0"



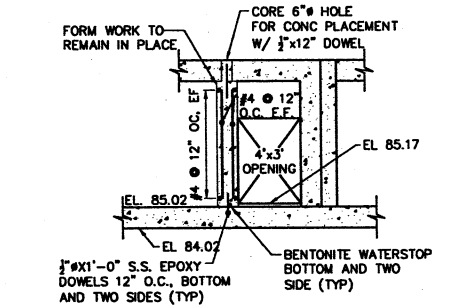
SECTION 2
SCALE: 1/2" = 1'-0"



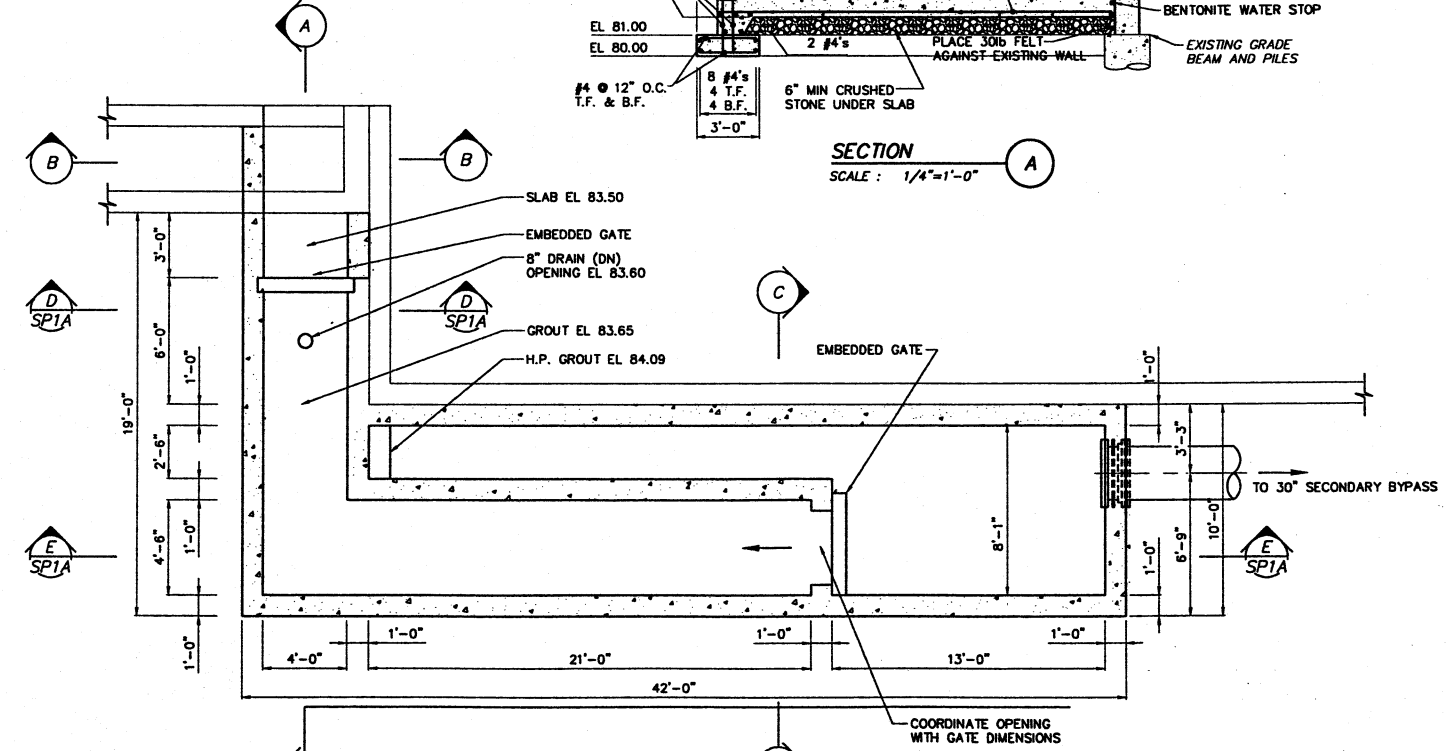
WALL SECTION
SCALE: 1/2" = 1'-0"



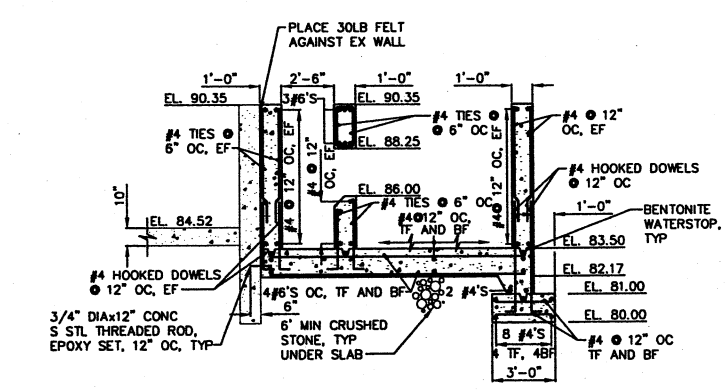
SECTION A
SCALE: 1/4" = 1'-0"



SECTION B
SCALE: 1/4" = 1'-0"



DETAIL PLAN VIEW OF NEW SECONDARY BYPASS
SCALE: 1/4" = 1'-0"



SECTION C
SCALE: 1/4" = 1'-0"

- NOTES:**
- SEE DRAWING P16 AND P17 FOR INFLUENT SCREW PUMP INFORMATION.
 - ELEVATIONS SHOWN HAVE BEEN ADJUSTED BY SUBTRACTING 0.11' FROM ELEVATIONS SHOWN ON RECORD DRAWINGS OF CONTRACT No 4, 1973.

THIS DRAWING IS AN INSTRUMENT OF SERVICE OWNED BY CONSULTING ENGINEERS AND ARCHITECTS, INC. (CEA) AND SHALL REMAIN THE PROPERTY OF CEA. IT IS TO BE USED ONLY FOR THE PROJECT AND SITE SPECIFICALLY IDENTIFIED HEREON. IT IS NOT TO BE REPRODUCED, COPIED, OR DISTRIBUTED TO OTHERS IN ANY FORM OR BY ANY MEANS WITHOUT THE WRITTEN CONSENT OF CEA. CEA IS NOT RESPONSIBLE FOR CONSEQUENCES RELATED TO THE USE OF THIS DRAWING OR PORTIONS THEREOF.

NO.	DESCRIPTIONS	DATE	BY	APP'D
1	ADDENDUM NO. 1	9/12	MGW	WAD

DESIGNED BY	DRAWN BY	CHECKED BY	APPROVED BY
RLP	JMP	RLP	WAD

ENVIRONMENTAL, INC.
ENGINEERS IN WATER AND EARTH SCIENCES
UNIONTOWN, OHIO

CITY OF MASSILLON, OHIO
WWTP UPGRADE 2000
INFLUENT SCREW PUMP SECTIONS & DETAILS

JOB NO. E9031
DATE 08/13/01
SCALE AS NOTED
SHEET SP1