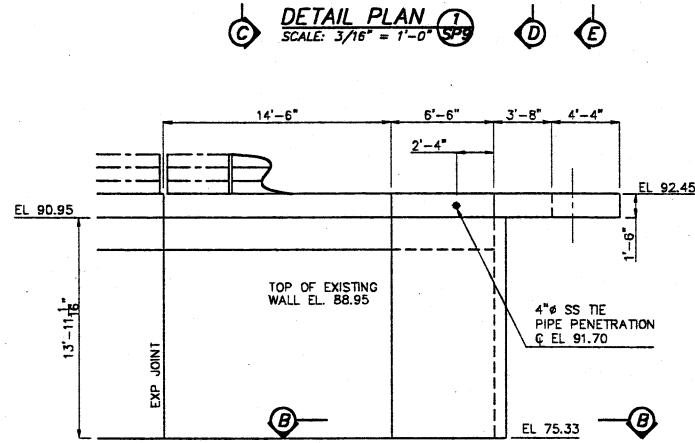
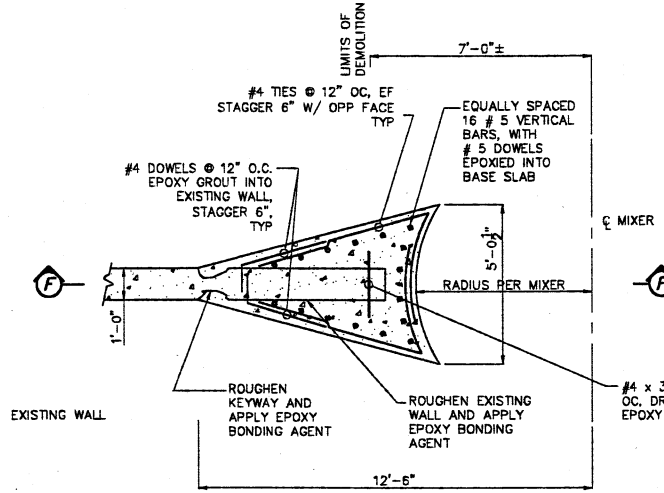


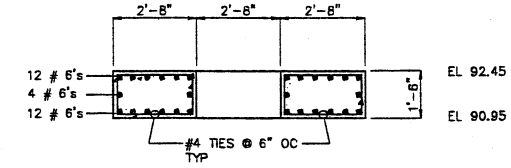
DETAIL PLAN
SCALE: 3/16" = 1'-0"



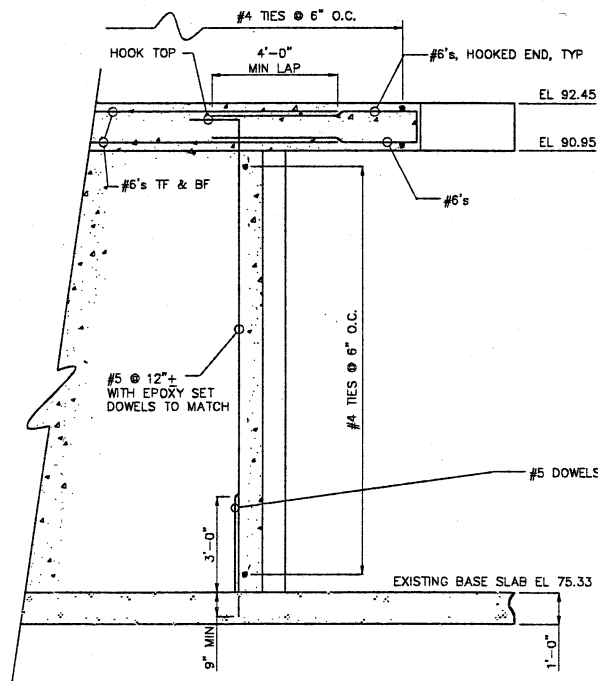
SECTION
SCALE: 3/16" = 1'-0"



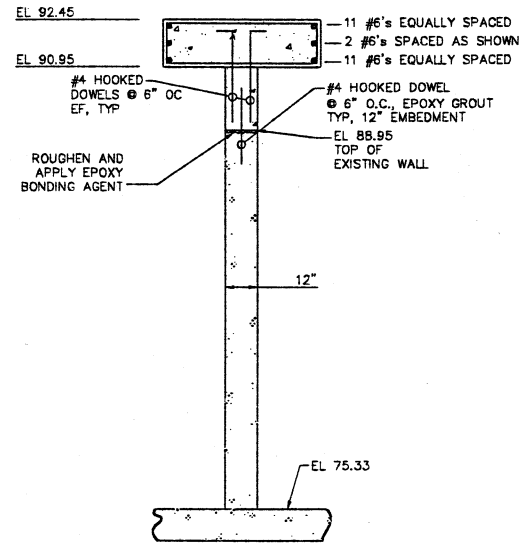
SECTION
SCALE: 3/8" = 1'-0"



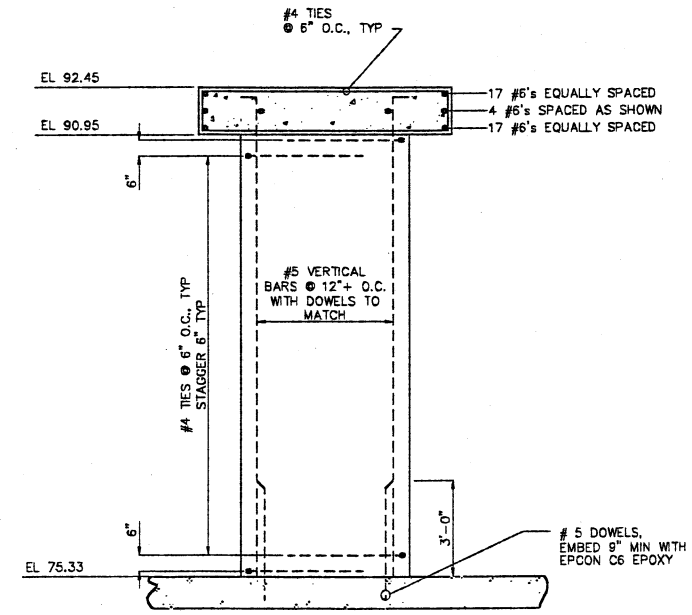
SECTION
SCALE: 3/8" = 1'-0"



SECTION
SCALE: 3/8" = 1'-0"



SECTION
SCALE: 3/8" = 1'-0"



SECTION
SCALE: 3/8" = 1'-0"

THIS DRAWING IS AN INSTRUMENT OF SERVICE AND IS THE PROPERTY OF THE ENGINEER. IT IS TO BE USED ONLY FOR THE PROJECT AND SITE SPECIFICALLY IDENTIFIED HEREON. IT IS NOT TO BE REPRODUCED, COPIED, OR DISTRIBUTED TO OTHERS IN ANY FORM OR BY ANY MEANS, WITHOUT THE WRITTEN CONSENT OF THE ENGINEER. THE ENGINEER SHALL NOT BE RESPONSIBLE FOR CONSEQUENCES RELATED TO THE USE OF THIS DRAWING OR PORTIONS THEREOF.

REVISIONS	DATE	BY
NO.		
DESCRIPTIONS		

DESIGNED BY: RLP
DRAWN BY: AMF
CHECKED BY:
APPROVED BY: WAD

ENVIRONMENTAL, INC.
ENGINEERS IN WATER AND EARTH SCIENCES
UNIONTOWN, OHIO

CITY OF MASSILLON, OHIO
WWTU UPGRADE 2000
AERATION TANK - MIXER MODIFICATIONS

JOB NO. E9031
DATE 08/13/01
SCALE AS NOTED
SHEET SP10