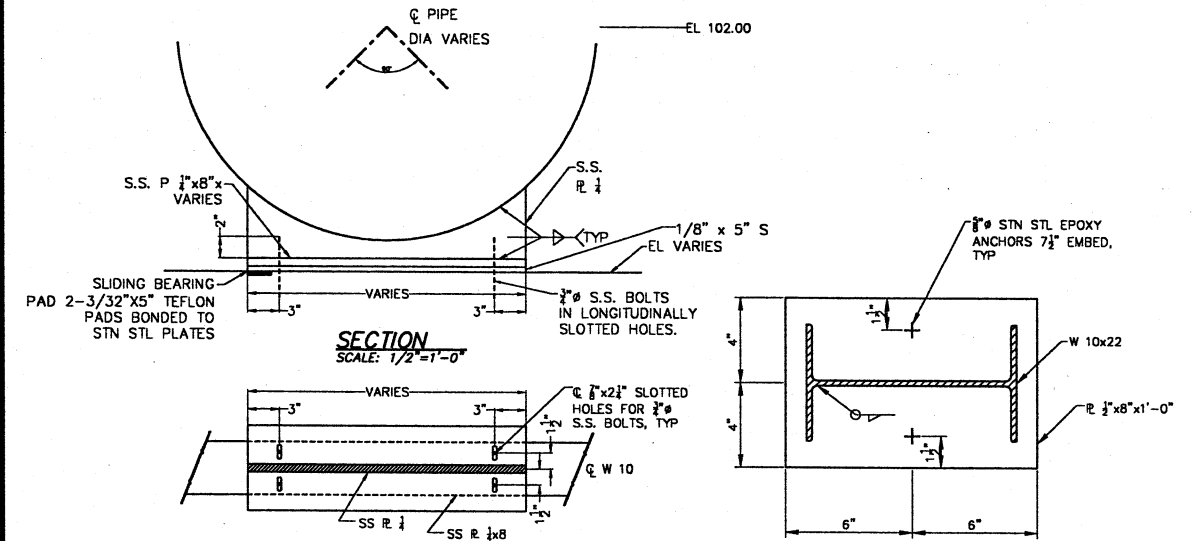
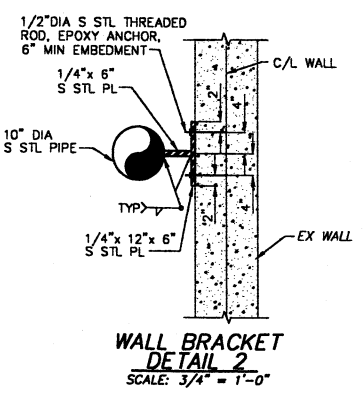


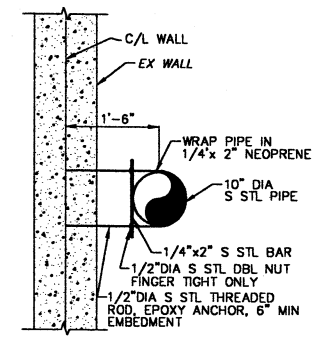
E:\E9031\S-D\NGS\SP14.dwg Wed Sep 12 13:01:03 2001



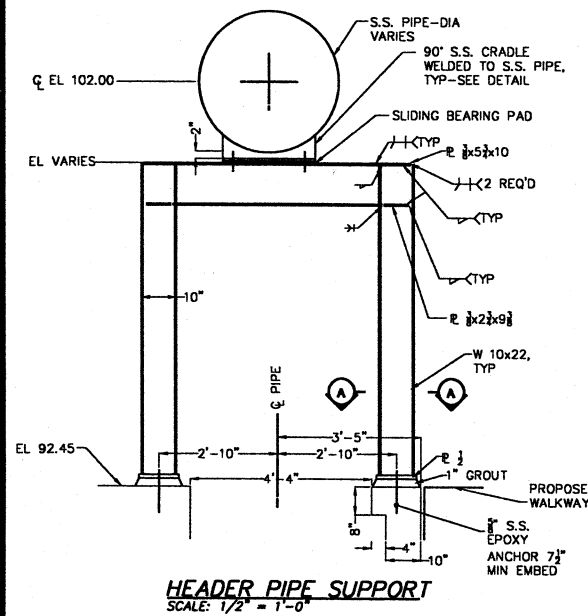
STAINLESS STEEL PIPE CRADLE
SCALE: 1/2" = 1'-0"



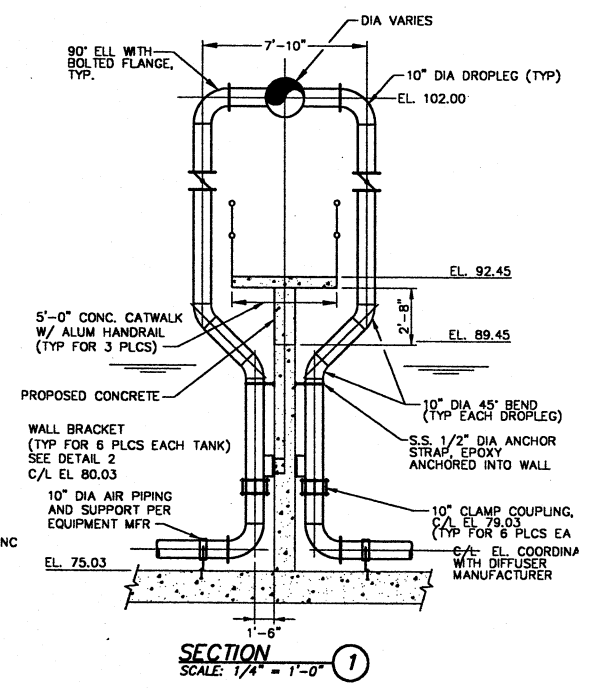
WALL BRACKET DETAIL 2
SCALE: 3/4" = 1'-0"



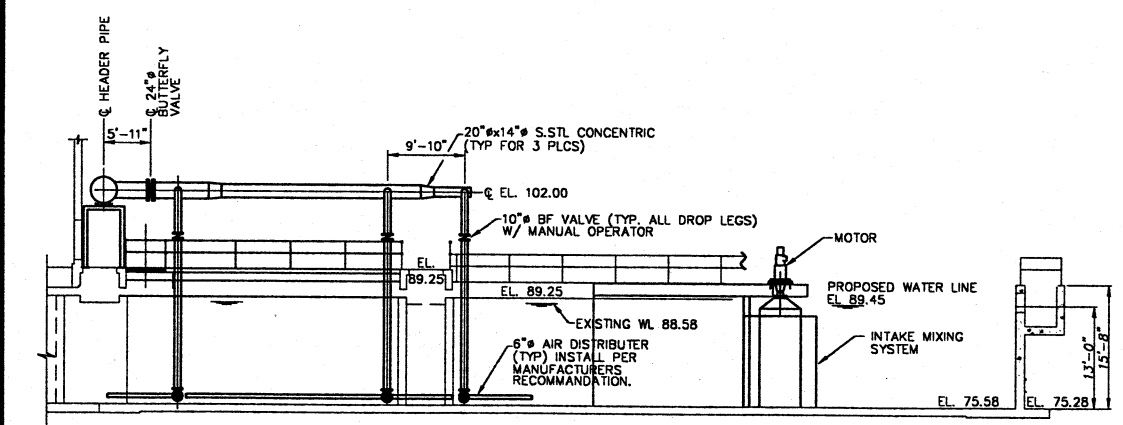
ANCHOR STRAP DETAIL 1
SCALE: 3/4" = 1'-0"



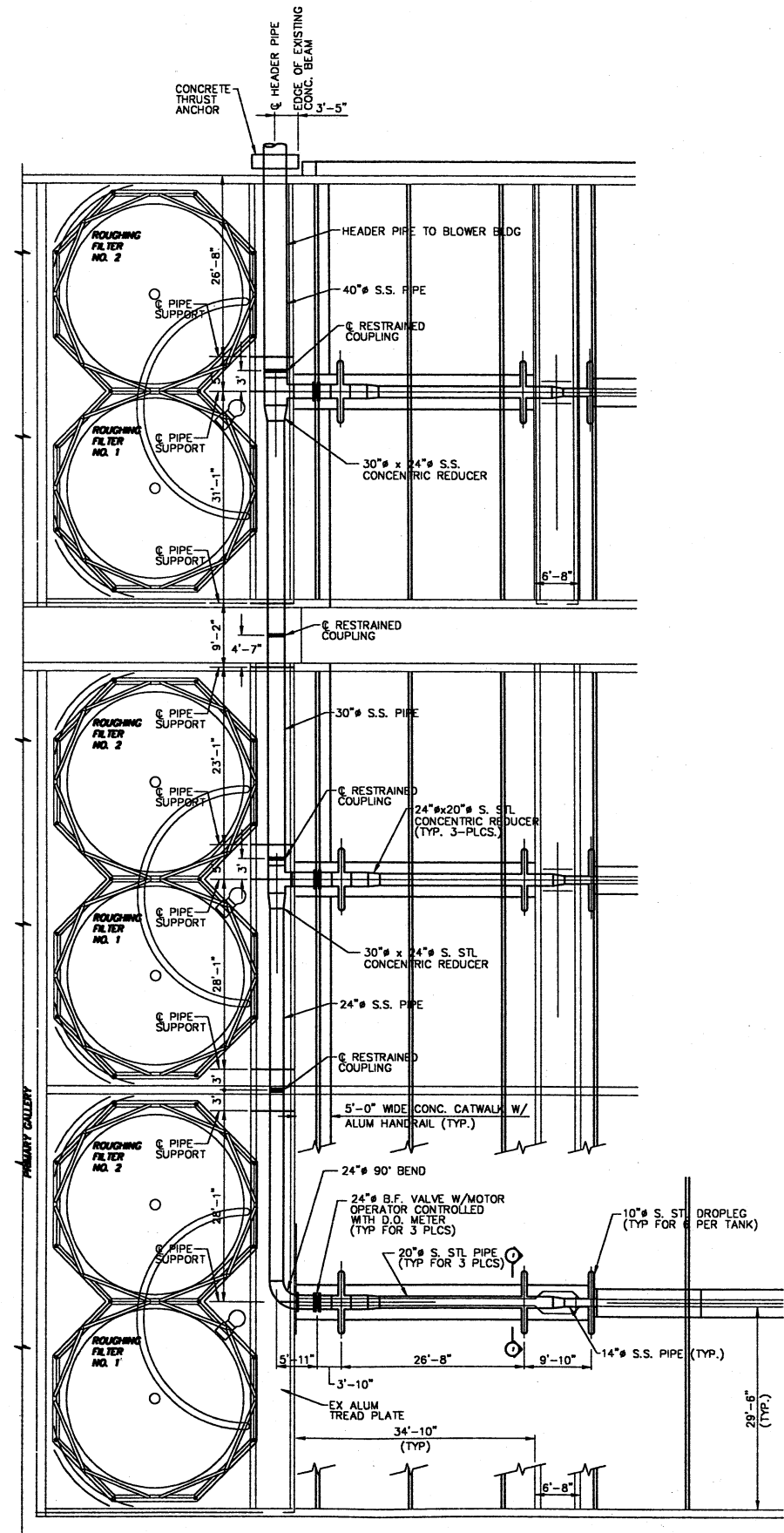
HEADER PIPE SUPPORT
SCALE: 1/2" = 1'-0"



SECTION 1
SCALE: 1/4" = 1'-0"



ELEVATION
SCALE: 3/32" = 1'-0"



PLAN
SCALE: 3/32" = 1'-0"

THIS DRAWING IS AN INSTRUMENT OF SERVICE OWNED BY CONSOLIDATED TECHNOLOGIES, INC. (CTI), WHICH SHALL BE DEEMED THE AUTHOR AND ENGINEER OF RECORD FOR THE PROJECT. NO COMMON LAW RIGHTS, INCLUDING COPYRIGHTS, OR OTHER RIGHTS SHALL BE ASSUMED TO EXIST IN THIS DRAWING. THIS DRAWING IS NOT TO BE REPRODUCED, COPIED, OR TRANSMITTED IN ANY FORM OR BY ANY MEANS, ELECTRONIC OR MECHANICAL, INCLUDING PHOTOCOPYING, RECORDING, OR BY ANY INFORMATION STORAGE AND RETRIEVAL SYSTEM, WITHOUT THE WRITTEN CONSENT OF CTI. CTI IS NOT RESPONSIBLE FOR ANY OTHER PURPOSE OR PROJECT WITHOUT THE WRITTEN CONSENT OF CTI. NO PART OF THIS DRAWING IS TO BE REPRODUCED OR USED FOR ANY OTHER PURPOSE WITHOUT THE WRITTEN CONSENT OF CTI.

NO.	DESCRIPTIONS	DATE	BY	APP'D
1	ADDENDUM NO. 1	9/12	AMF	WAD

DESIGNED BY: RLP
DRAWN BY: AMF
CHECKED BY: WAD
APPROVED BY: WAD

ENVIRONMENTAL, INC. WATER AND EARTH SCIENCES
UNIONTOWN, OHIO

CITY OF MASSILLON, OHIO
WWTP UPGRADE 2000
AERATION TANK
PIPING SUPPORT PLAN, SECTIONS AND DETAILS

JOB NO. E9031
DATE 08/13/01
SCALE AS NOTED
SHEET SP14

E:\E9031\SP14.DWG