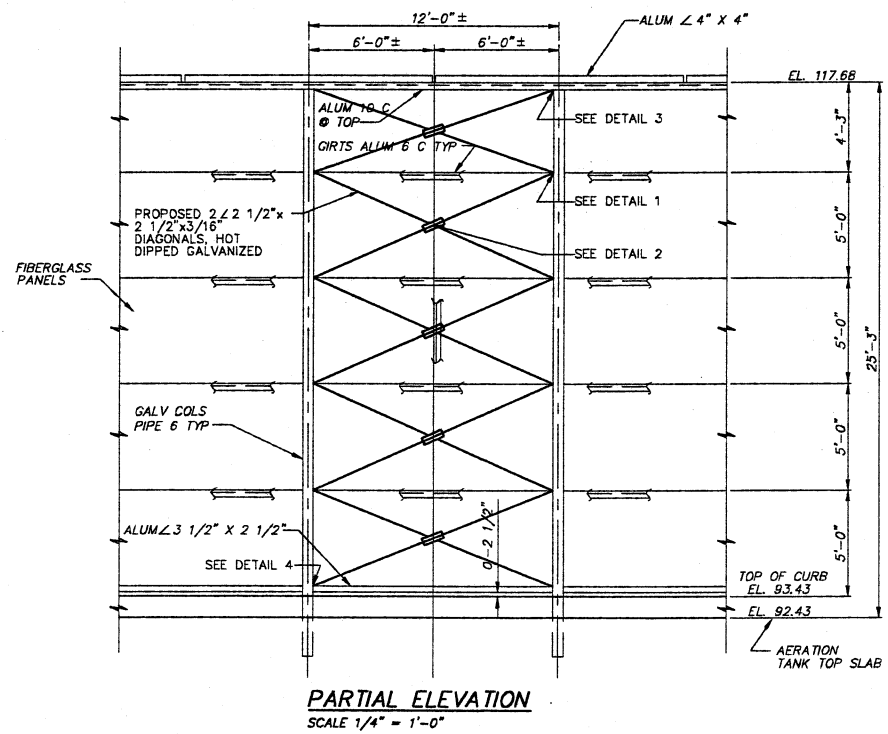
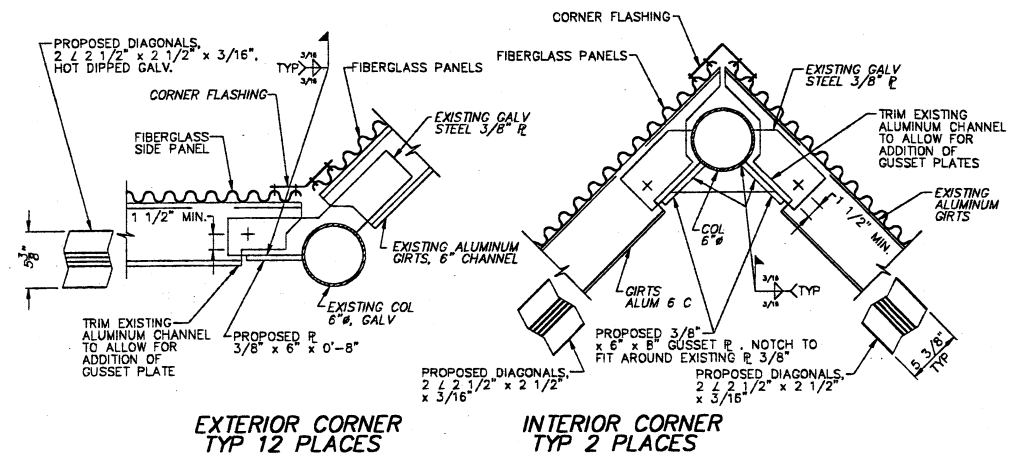
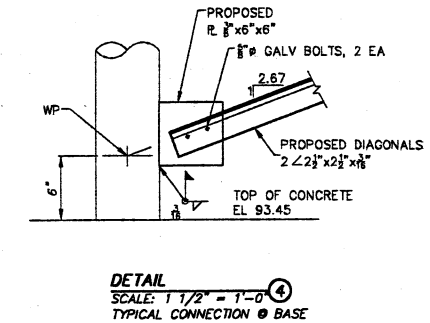
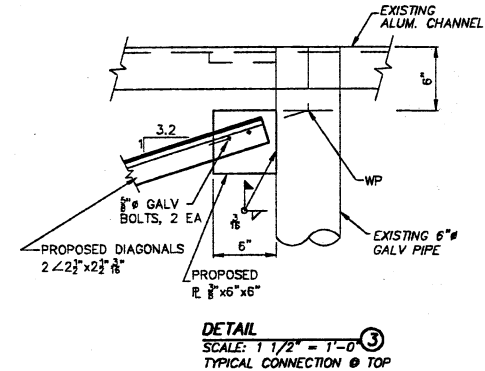
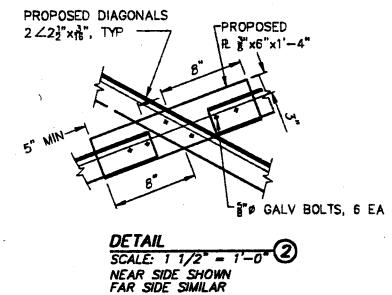
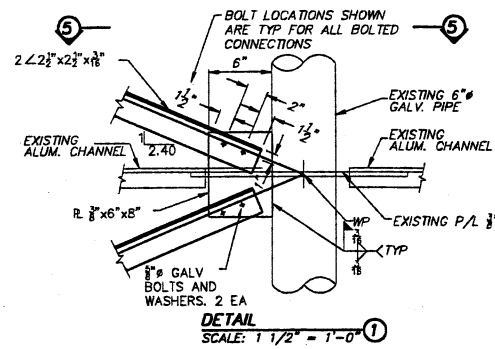


**ROUGHING FILTER HOUSING  
PARTIAL FRAMING PLAN**  
SCALE: 1/4"=1'-0"  
TYPICAL FOR THREE ROUGHING FILTER PAIRS



**PARTIAL ELEVATION**  
SCALE 1/4" = 1'-0"



**EXTERIOR CORNER  
TYP 12 PLACES**

**INTERIOR CORNER  
TYP 2 PLACES**

**SECTION 5**  
SCALE 1 1/2" = 1'-0"  
MODIFICATIONS AT CORNERS OF GIRT CONNECTIONS

THIS DRAWING IS AN INSTRUMENT OF SERVICE (CITD) WHICH SHALL BE DEEMED THE AUTHOR AND WHICH SHALL REMAIN ALL STATUTORY AND COMMON LAW RIGHTS IN THIS DRAWING. THIS DRAWING SHALL NOT BE REPRODUCED, COPIED, OR DISTRIBUTED TO OTHERS IN ANY FORM OR BY ANY MEANS WITHOUT THE WRITTEN CONSENT OF CITI. CITI IS NOT RESPONSIBLE FOR ANY CONSEQUENCES THAT MAY BE INCURRED BY THE USER OF THIS DRAWING OR PORTIONS THEREOF.

DESIGNED BY	DATE	BY	APP'D
RLP			
DRAWN BY			
LOO			
CHECKED BY			
WAD			
REVISIONS	NO.	DESCRIPTIONS	DATE

ENVIRONMENTAL, INC.  
ENGINEERS IN WATER AND EARTH SCIENCES  
UNIONTOWN, OHIO

**CITY OF MASSILLON, OHIO  
WWTP UPGRADE 2000  
ROUGHING FILTER MODIFICATIONS**

JOB NO.	E9031
DATE	08/13/01
SCALE	AS NOTED
SHEET	SP15