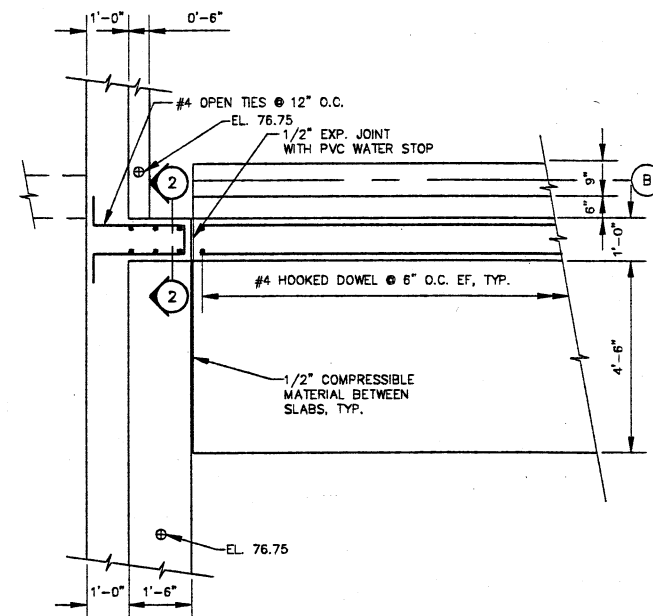
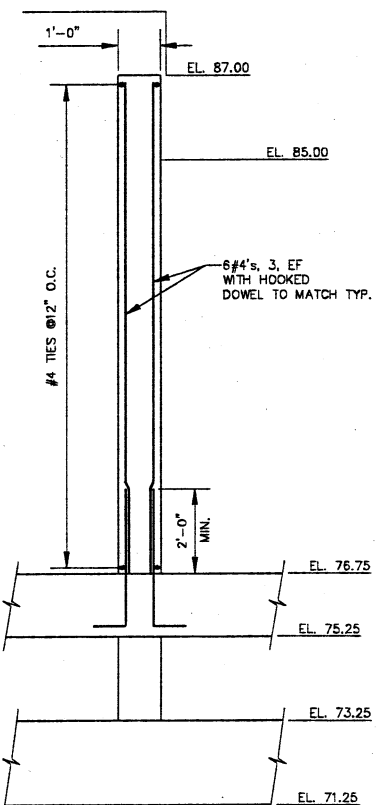


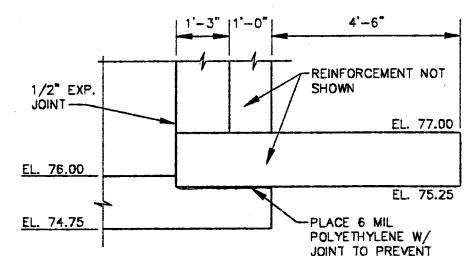
PLAN
SCALE: 1/8" = 1'-0"



DETAIL
SCALE: 1/2" = 1'-0" 1



SECTION
SCALE: 1/2" = 1'-0" 2



SECTION
SCALE: 1/2" = 1'-0" 5

THIS DRAWING IS AN INSTRUMENT OF SERVICE OWNED BY CONSOLIDATED TECHNOLOGIES, INC. (CTI), WHICH SHALL BE DEEMED THE AUTHOR AND ENGINEER OF RECORD FOR ALL PURPOSES. THIS DRAWING SHALL NOT BE REPRODUCED, COPIED, OR TRANSMITTED IN ANY FORM OR BY ANY MEANS, ELECTRONIC OR MECHANICAL, INCLUDING PHOTOCOPYING, RECORDING, OR BY ANY INFORMATION STORAGE AND RETRIEVAL SYSTEM, WITHOUT THE WRITTEN CONSENT OF CTI. CTI IS NOT RESPONSIBLE FOR ANY OTHER PURPOSES OR UNAUTHORIZED USE OR REUSE OF THIS DRAWING OR PORTIONS THEREOF.

NO.	DESCRIPTIONS	DATE	BY	APP'D

ENVIRONMENTAL, INC.
ENGINEERS IN WATER AND EARTH SCIENCES
UNIONTOWN, OHIO

CITY OF MASSILLON, OHIO
WWTP UPGRADE 2000
TERTIARY FILTER AND UV DISINFECTION BUILDING
PLAN EL. 76.75 AND SECTIONS

JOB NO.	E9031
DATE	08/13/01
SCALE	AS NOTED
SHEET	SP23