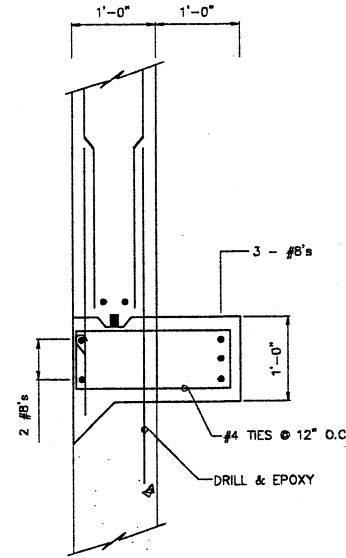
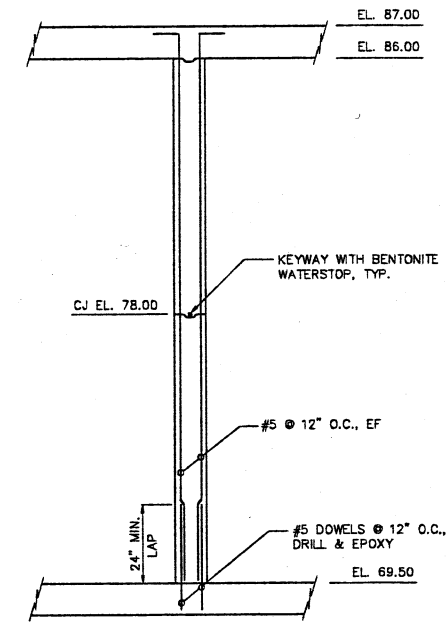


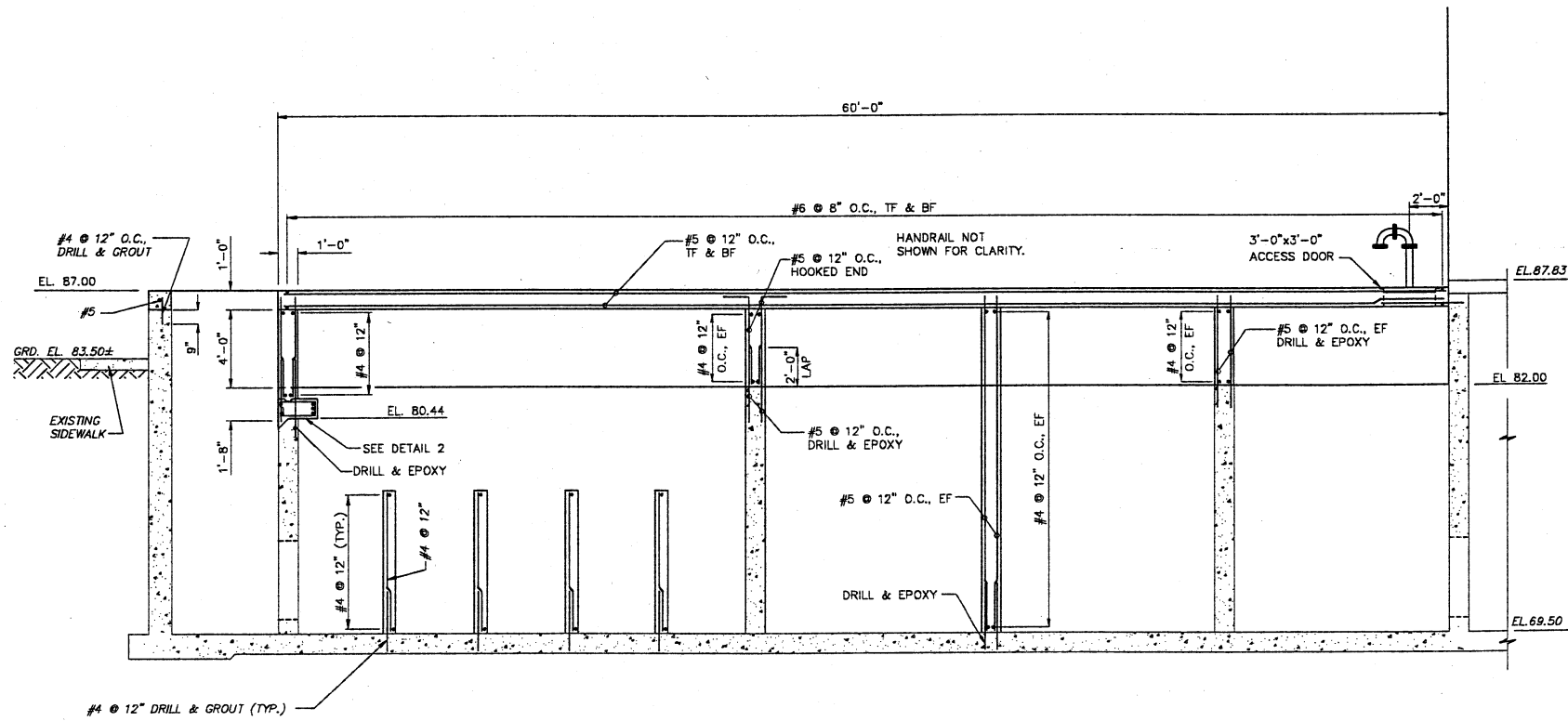
SECTION E
SCALE: 1/4"=1'-0" P52



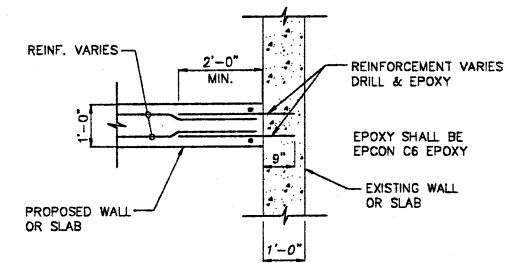
DETAIL 2
SCALE: 1"=1'-0"



SECTION F
SCALE: 3/8"=1'-0" SP29



SECTION D
SCALE: 1/4"=1'-0" SP27



DETAIL 1
SCALE: 1/2"=1'-0" SP27

THIS DRAWING IS AN INSTRUMENT OF SERVICE OWNED BY CONSOLIDATED TECHNOLOGIES, INC. (CTI), WHICH SHALL BE DEEMED THE AUTHOR AND COMMON LAW RIGHTS, INCLUDING COPYRIGHTS. THIS DRAWING SHALL NOT BE REPRODUCED, COPIED, OR USED FOR ANY OTHER PURPOSE OR PROJECT WITHOUT THE WRITTEN CONSENT OF CONSOLIDATED TECHNOLOGIES, INC. UNAUTHORIZED USE OR REUSE OF THIS DRAWING OR PORTIONS HEREOF.

NO.	REVISIONS DESCRIPTIONS	DATE	BY	APP'D

DESIGNED BY: MGV
DRAWN BY: AJP/SAT
CHECKED BY:
APPROVED BY: WAD

ENVIRONMENTAL, INC.
ENGINEERS IN WATER AND EARTH SCIENCES
UNIONTOWN, OHIO

CITY OF MASSILLON, OHIO
WWTP UPGRADE 2000

HIGH RIVER PUMPING STATION SECTIONS AND DETAILS

JOB NO. E9031
DATE 08/13/01
SCALE AS NOTED
SHEET SP29