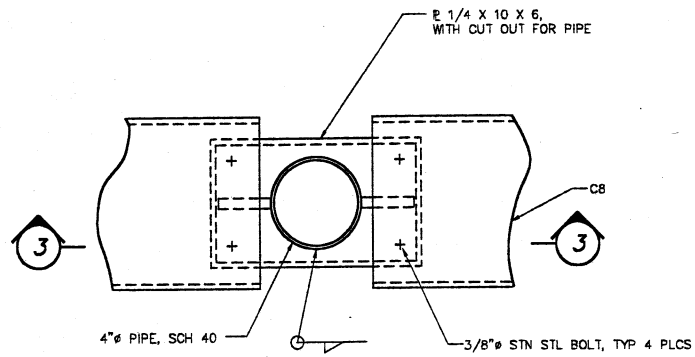
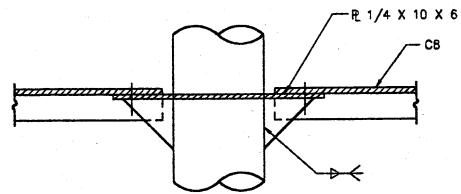


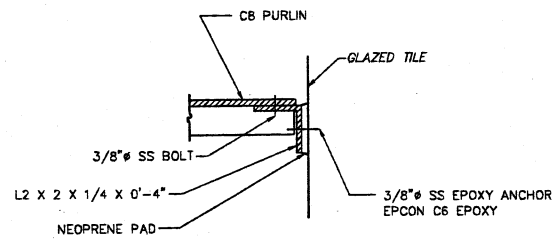
SECTION 1
SCALE: 3" = 1'-0"



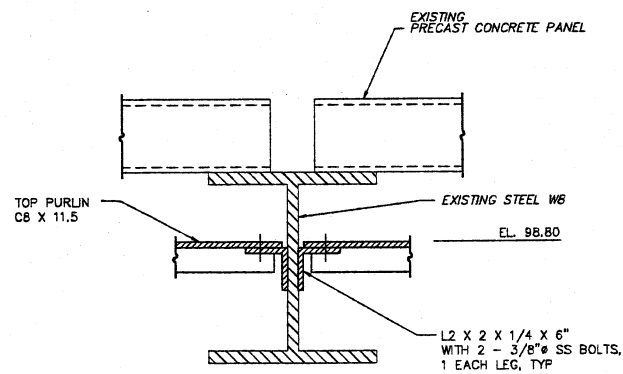
SECTION 2
SCALE: 3" = 1'-0"



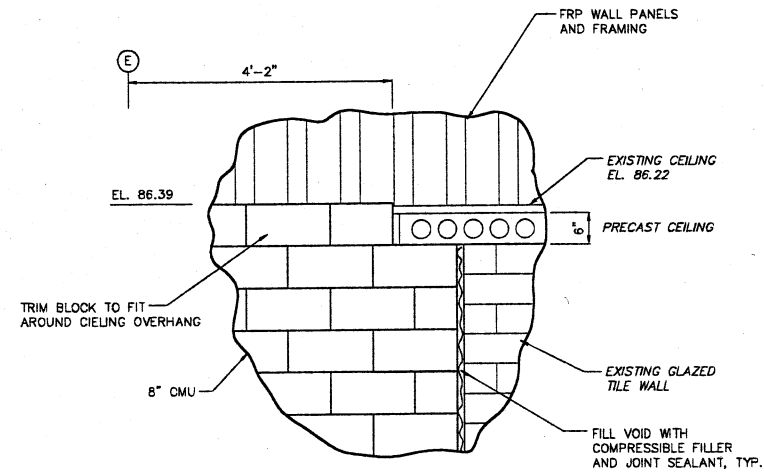
SECTION 3
SCALE: 3" = 1'-0"



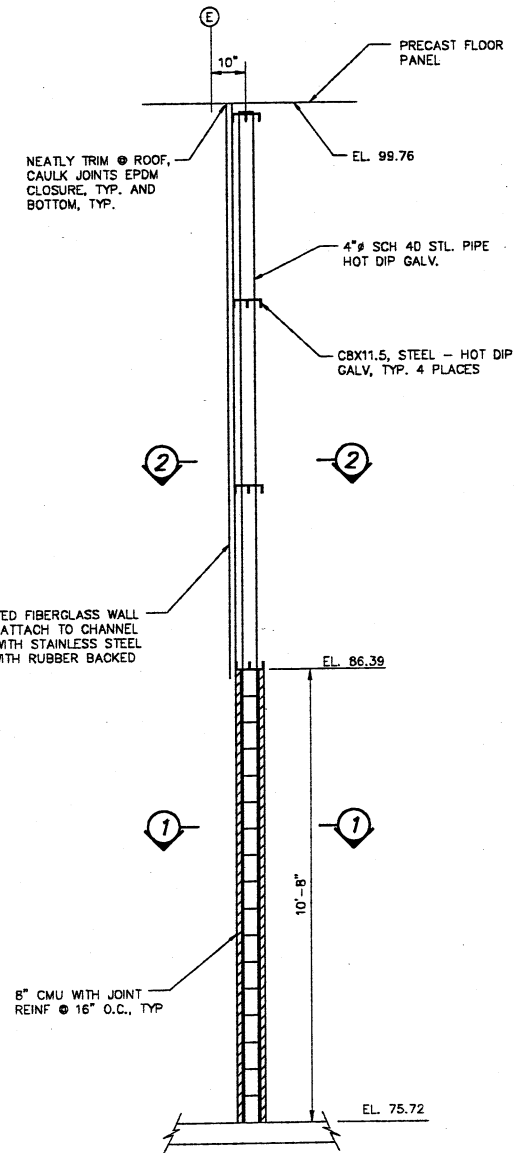
SECTION 4
SCALE: 3" = 1'-0"



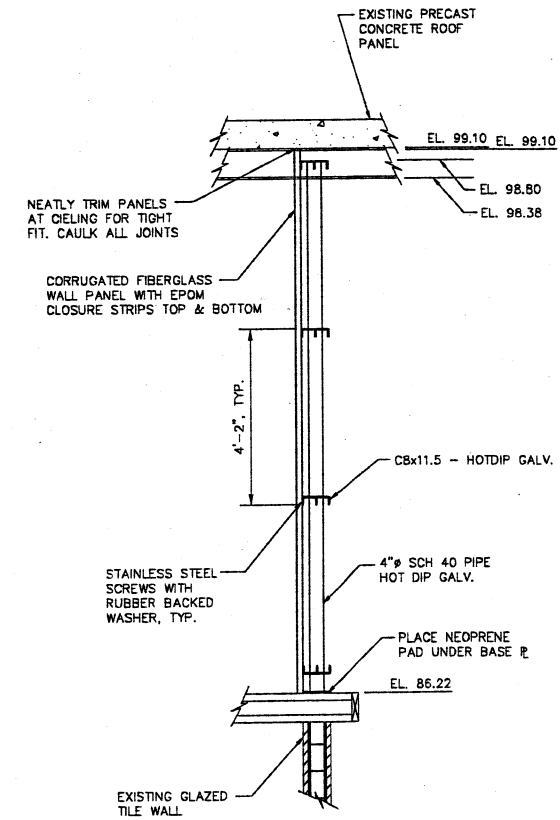
DETAIL 4
SCALE: 3" = 1'-0"



SECTION C
SCALE: 3/4" = 1'-0"



SECTION A
SCALE: 1/2" = 1'-0"



SECTION B
SCALE: 1/2" = 1'-0"

THIS DRAWING IS AN INSTRUMENT OF SERVICE OWNED BY CONSOLIDATED TECHNOLOGIES, INC. (CTI), WHICH SHALL BE DEEMED THE AUTHOR AND ENGINEER OF RECORD FOR ALL PURPOSES. THIS DRAWING SHALL NOT BE REPRODUCED, COPIED, OR TRANSMITTED IN ANY FORM OR BY ANY MEANS, FOR ANY OTHER PURPOSE OR PROJECT WITHOUT THE WRITTEN CONSENT OF CTI. CTI IS NOT RESPONSIBLE FOR ANY UNAUTHORIZED USE OR REUSE OF THIS DRAWING OR PORTIONS THEREOF.

NO.	REVISIONS	DATE	BY	APP'D

DESIGNED BY: RLP
DRAWN BY: SAH
CHECKED BY: RWR
APPROVED BY: WAD

ENVIRONMENTAL, INC.
ENGINEERS IN WATER AND EARTH SCIENCES
UNIONTOWN, OHIO

CITY OF MASSILLON, OHIO
WWTP UPGRADE 2000

ODOR CONTROL MODIFICATIONS - SECTIONS AND DETAILS

JOB NO. E9031
DATE 08/13/01
SCALE AS NOTED
SHEET SP32