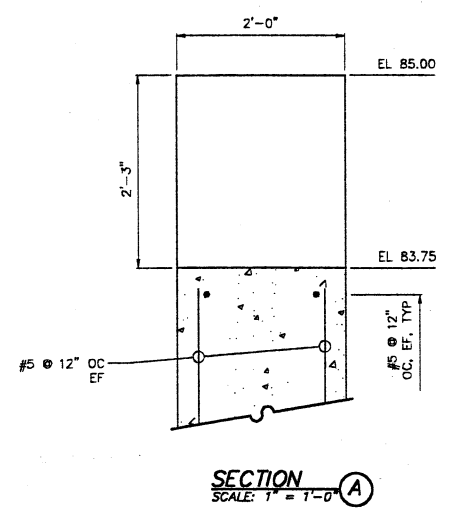
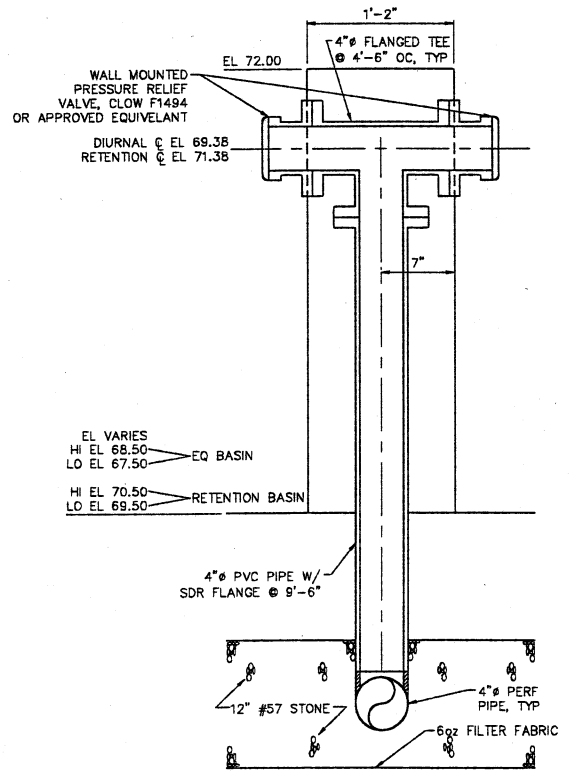


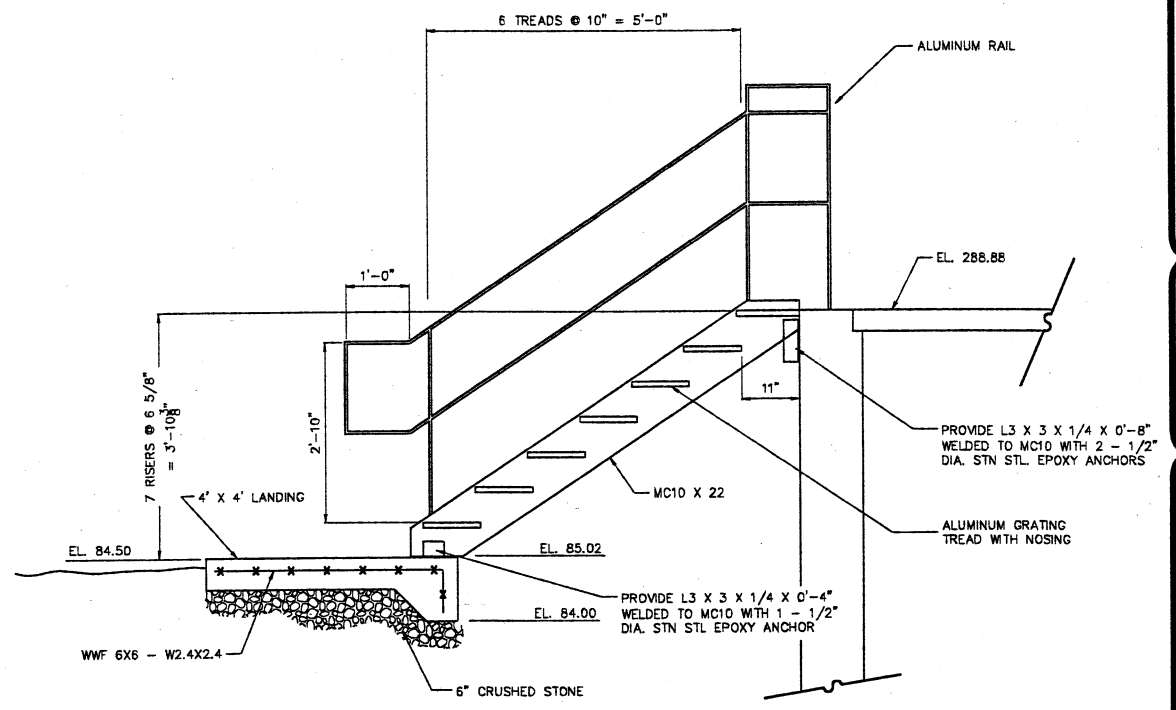
**CENTER WALL  
PARTIAL PLAN, EL 91.50**  
SCALE: 1/8" = 1'-0"



**SECTION A**  
SCALE: 1" = 1'-0"



**PRV ASSEMBLY  
DETAIL**  
SCALE: 1 1/2" = 1'-0"



**STAIR DETAIL**  
SCALE: 3/4" = 1'-0"

THIS DRAWING IS AN INSTRUMENT OF SERVICE OWNED BY CONSOLIDATED TECHNOLOGIES, INC. (CTI), WHICH SHALL BE DEEMED THE AUTHOR AND ENGINEER OF RECORD FOR THIS PROJECT. NO COMMON LAW RIGHTS, INCLUDING COPYRIGHTS, THIS DRAWING SHALL NOT BE SCANNED, COPIED, OR REPRODUCED IN ANY MANNER WITHOUT THE PRIOR WRITTEN CONSENT OF CTI. CTI IS NOT RESPONSIBLE FOR ANY OTHER PURPOSE OR PROJECT WITHOUT THE PRIOR WRITTEN CONSENT OF CTI. CTI IS NOT RESPONSIBLE FOR ANY UNAUTHORIZED USE OR REUSE OF THIS DRAWING OR PORTIONS THEREOF.

NO.	REVISIONS DESCRIPTIONS	DATE	BY	APP'D

**ENVIRONMENTAL, INC.**  
ENGINEERS IN WATER AND EARTH SCIENCES  
UNIONTOWN, OHIO

**CITY OF MASSILLON, OHIO**  
WWTU UPGRADE 2000  
RETENTION BASIN - SECTIONS AND DETAILS

JOB NO.	E9031
DATE	08/13/01
SCALE	AS NOTED
SHEET	SP4